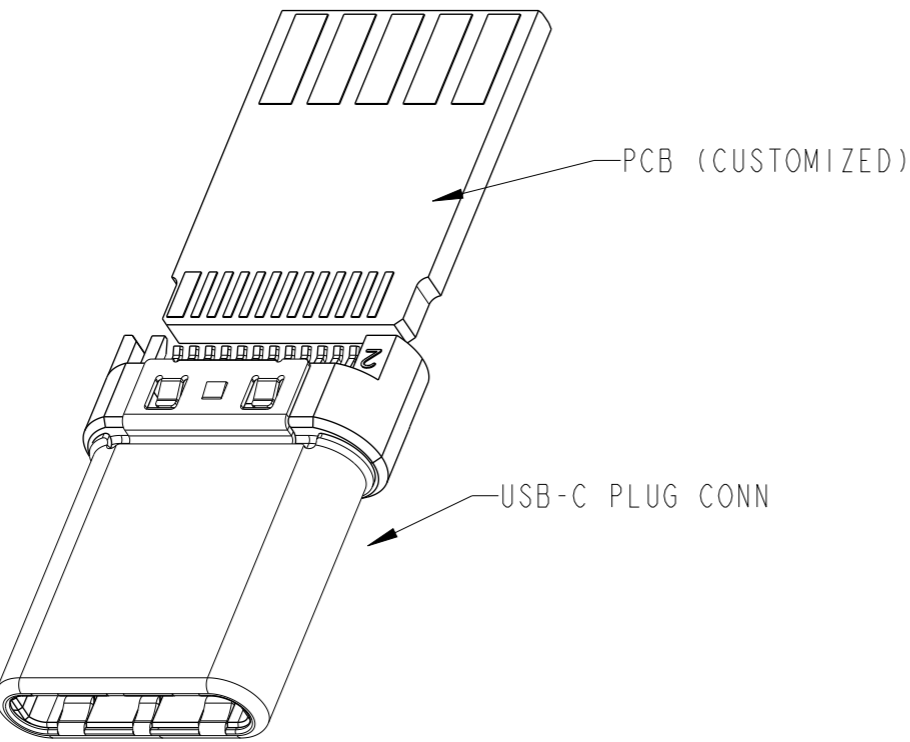


Product Name:	HPL – 511 USB	
	USB3.1 TYPE-C plug ,Kits	
Product Manager:	Cui, Noel	
Subject:	Notification of Change with Immediate Effectivity	
Distribution:	Affected customers	
Type of Change:	Documentation Change	
Change Description:	Add new part number 10144277-30001LF for PCB style selection	
Reason for Change:	New part number to distinguish between two different types of PCB. One type has white dots on it, while the other type has black dots. Refer to the customer drawing for details.	
Affected Parts:	10144277 series	
Effective Date of Change:	May,05 2026	
Last Time Buy Date:	NA	
Earliest Disty Return Date:	NA	
Last Time Shipment Date	NA	
Datasheet Attached?	Yes	
Qual/Test Data Attached?	Yes	
Samples Availability Date:	05 May ,2026	
Available Alternatives?		
Questions?	<i>Contact your local ACS Representative, or Product Manager</i>	
	<i>Cui, Noel / Product Manager</i>	
	<i>noel.cui@amphenol-fci.com</i>	

Note:

Customers should contact Product Line Manager (or their local Amphenol Representative) directly regarding any concern on the PCN. Lack of any such customer feedback within three weeks of PCN release date will be interpreted as non-objection .



- NOTE:
1. MATERIAL:
 - 1.1 USB-C PLUG CONN (P/N:10133475)
 - 1.2 PCB (CUSTOMIZED)
 2. LEAD FREE PRODUCT MEETS EUROPEAN UNION DIRECTIVES AND OTHER COUNTRY REGULATIONS AS DISCRIBED IN GS-22-008
 3. PRODUCT IS HALOGEN FREE PRODUCTS.
 4. DIMENSIONING SHALL BE INTERPRETED PER ANSI Y14.5-2009;
 5. THIS DESIGN COMPLY WITH UNIVERSAL SERIAL BUS TYPE-C SPECIFICATION

PART MUNBER CODE: 10144277 - X 0 0 0 X LF

CONN OPTION

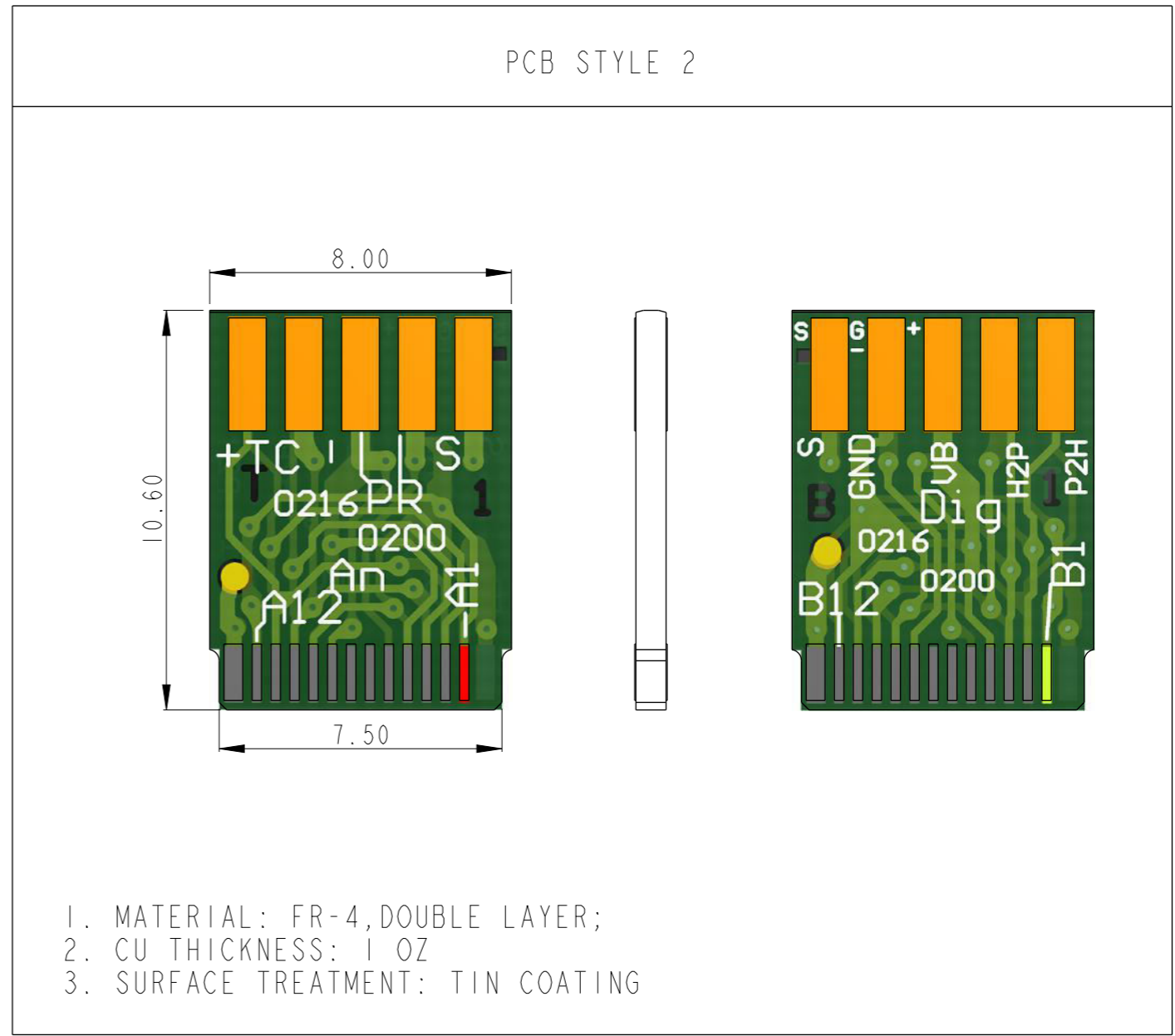
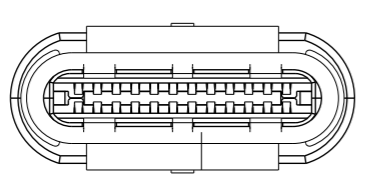
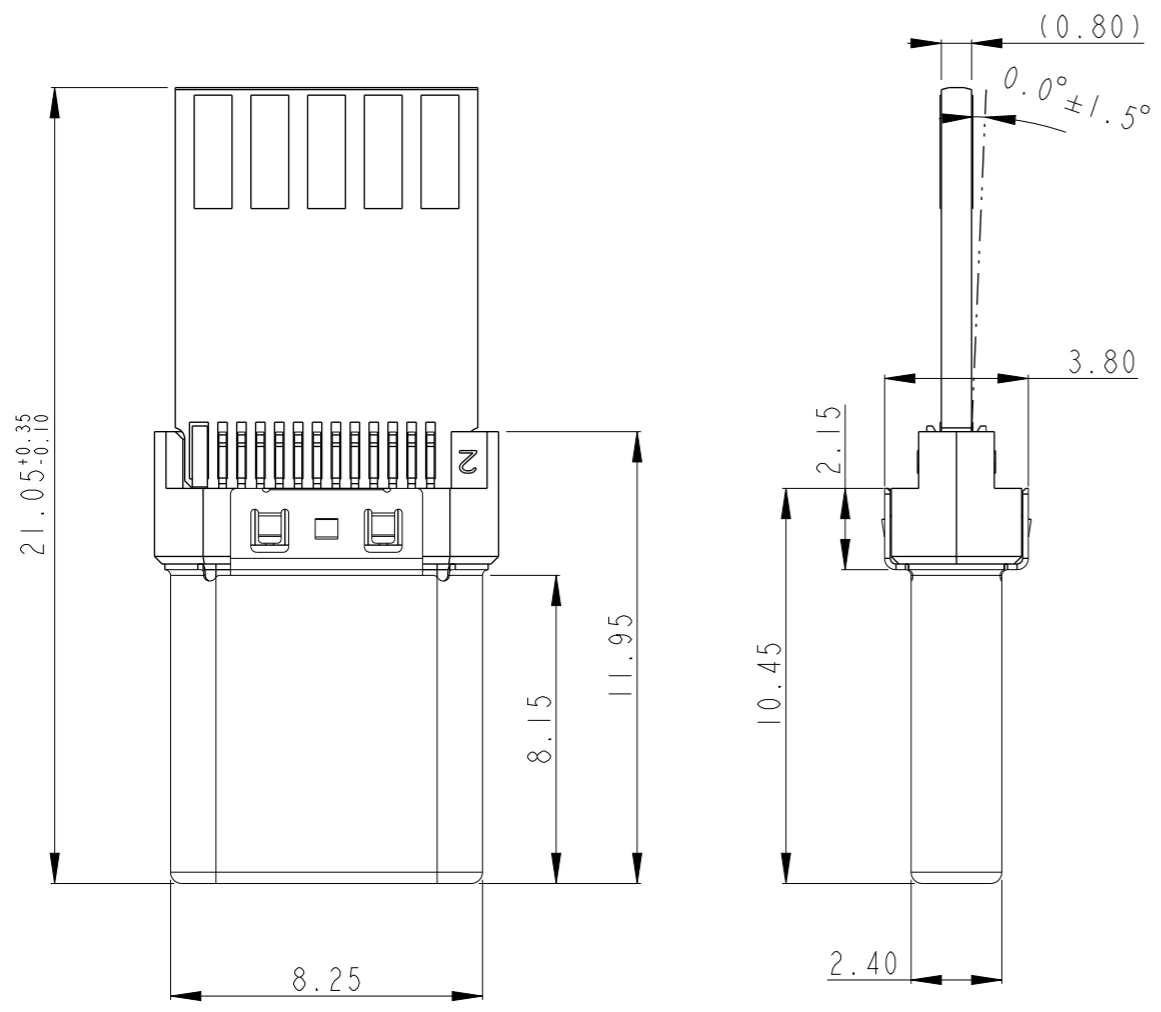
0. 10133475-10000LF
1. 10133475-10000LF
2. 10133475-10001LF

PCB AND ELECTRON COMPONENT OPTION

- 2: WITH PCB STYLE 2 (REF SHEET 2)
- 3: WITH PCB STYLE 3 (REF SHEET 3)
- 4: WITH PCB STYLE 4 (REF SHEET 4)
- 5: WITH PCB STYLE 5 + FEMALE HEADER 10 POS CONN (REF SHEET 5)
- 6: WITH PCB STYLE 6 + HEADER 10POS CONN+ RESISTORS (REF SHEET 6)
- 7: WITH PCB STYLE 7 (REF SHEET 7)
- 8: WITH PCB STYLE 8 (REF SHEET 8)

spec ref -		dr	LQLei	2017-6-14	projection	mm	size	A3	scale	1.000
tolerance std		eng	Y-Y.BAO	2021-08-05			ecn no		rel level	
ISO 406 ISO 1101		chr	LQLEI	2021-08-05			Change In Progress			
TOLERANCES UNLESS OTHERWISE SPECIFIED		appr	TIM.YAO	2021-08-05	product family		dwg no		rev	
surface	linear	0.X		±0.35		USB Type-C		10144277		G
		0.XX		±0.25		CABLE PLUG KITS				
ISO 1302		angular	0°	±2°		cat. no.	Product - Customer Drw		sheet 1 of 8	

PART MUMBER
10144277-20000LF



1. MATERIAL: FR-4, DOUBLE LAYER;
2. CU THICKNESS: 1 OZ
3. SURFACE TREATMENT: TIN COATING

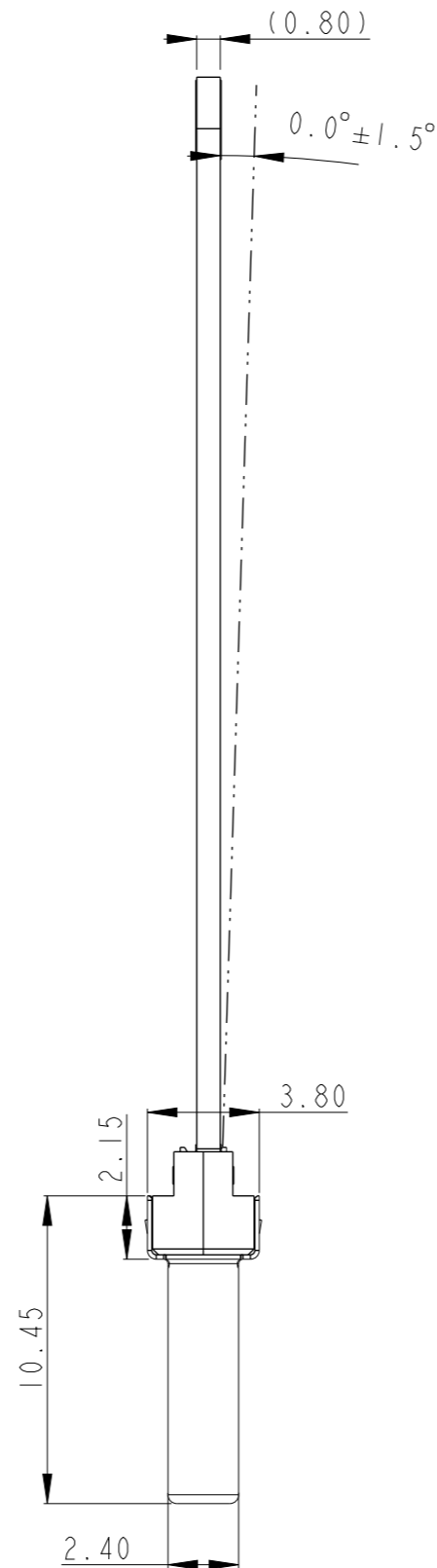
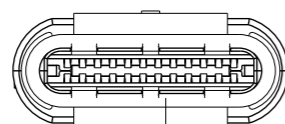
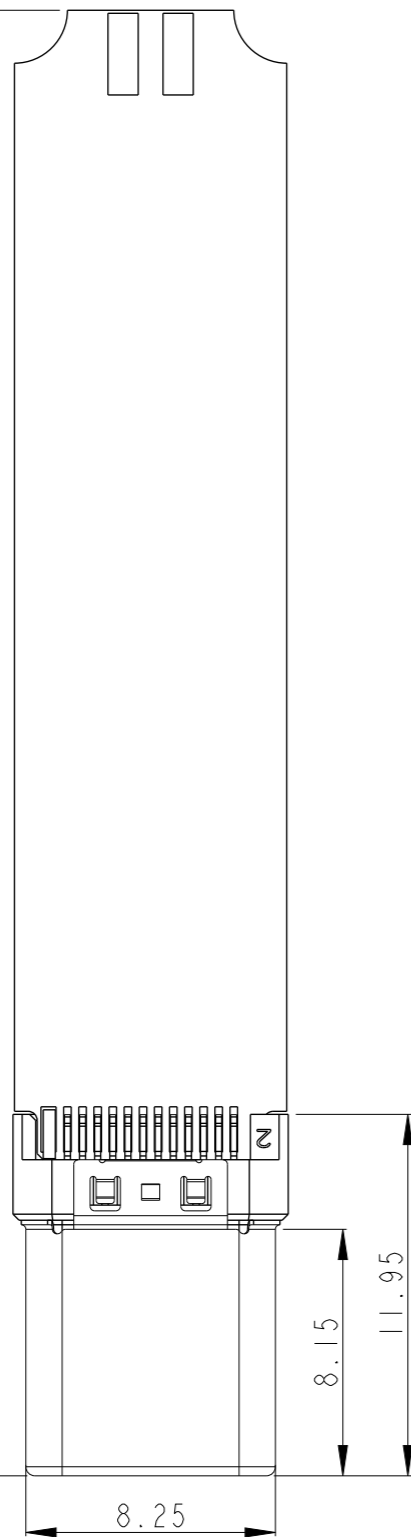
Amphenol
FCi

© 2020 Amphenol Corporation

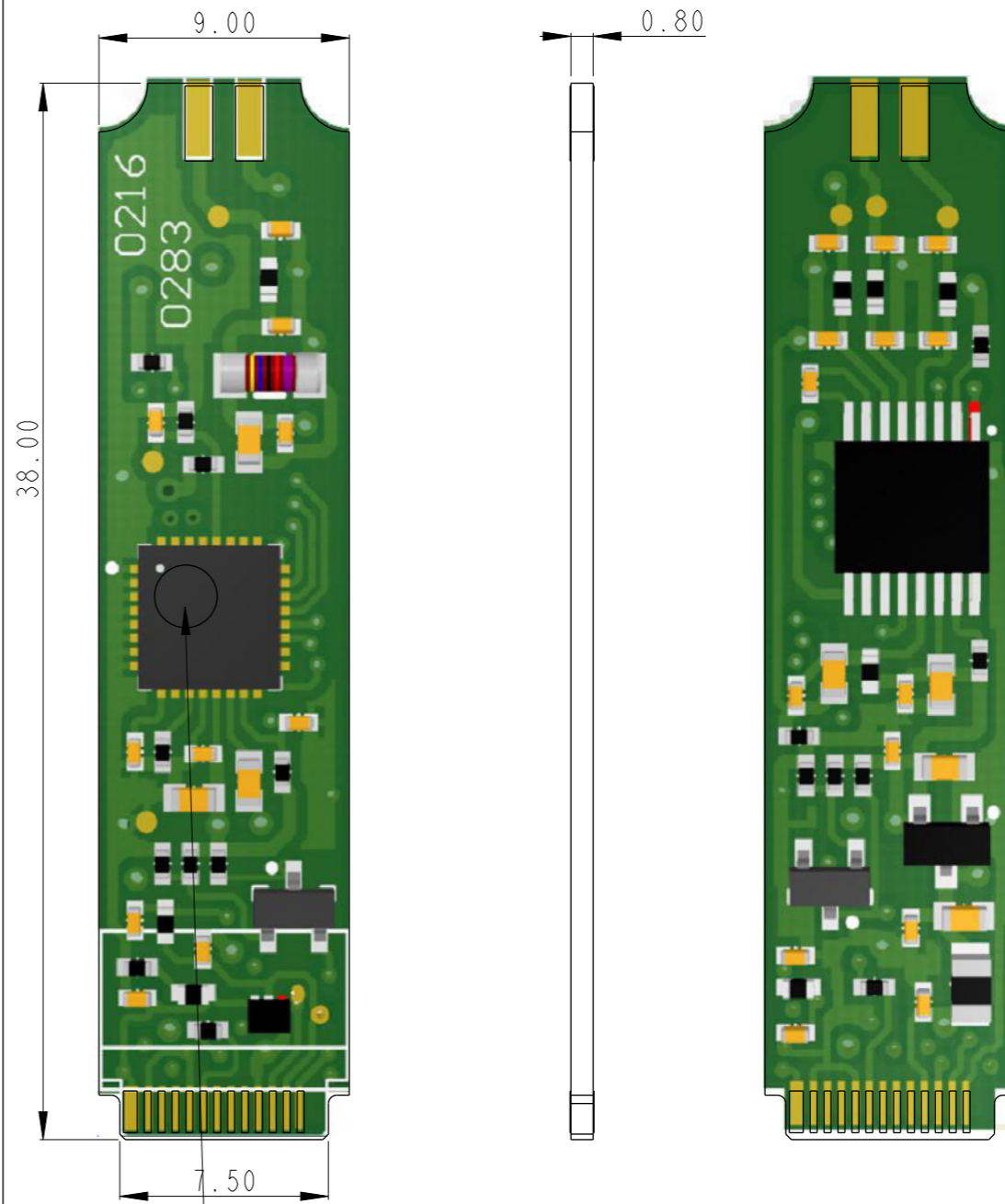
spec ref -		dr	LQLei	2017-6-14	projection 	mm ←→	size	A3	scale	5.000
tolerance std ISO 406 ISO 1101		eng	Y-Y.BAO	2021-08-05			ecn no			
TOLERANCES UNLESS OTHERWISE SPECIFIED		chr	LQLEI	2021-08-05	product family		rel level Change In Progress			
		appr	TIM.YAO	2021-08-05						
surface	linear	0.X	±0.35	Amphenol FCi	title USB Type-C CABLE PLUG KITS		dwg no 10144277	rev G		
		0.XX	±0.25							
0.XXX	±0.15									
ISO 1302	angular	0°	±2°	cat. no.	Product - Customer Drw		sheet 2 of 8			

PART MUNBER	COLOR OF THE DOT
10144277-30000LF	BLACK
10144277-30001LF	WHITE

48.45^{+0.35}_{-0.10}



PCB STYLE 3



THERE'S A COLORED DOT HERE,
 1. IF DOT IS BLACK, THE P/N OF THE FINISHED GOODS IS 10144277-30000LF
 2. IF DOT IS WHITE, THE P/N OF THE FINISHED GOODS IS 10144277-30001LF

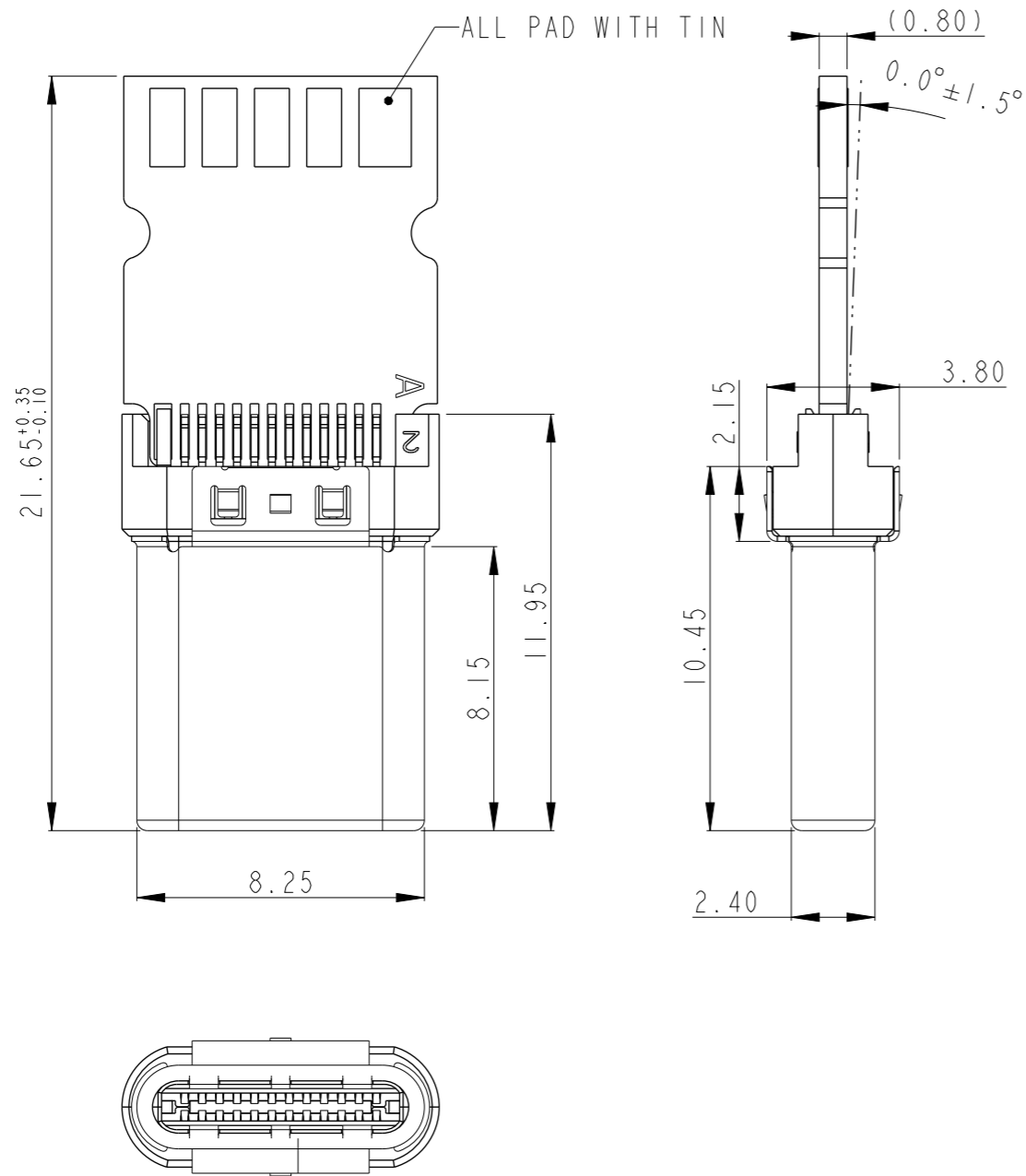
PCBA IS CUSTOMIZED

spec ref	-
tolerance std	ISO 406 ISO 1101
surface	ISO 1302
linear	0.X ±0.35
	0.XX ±0.25
angular	0.XXX ±0.15
	0° ±2°

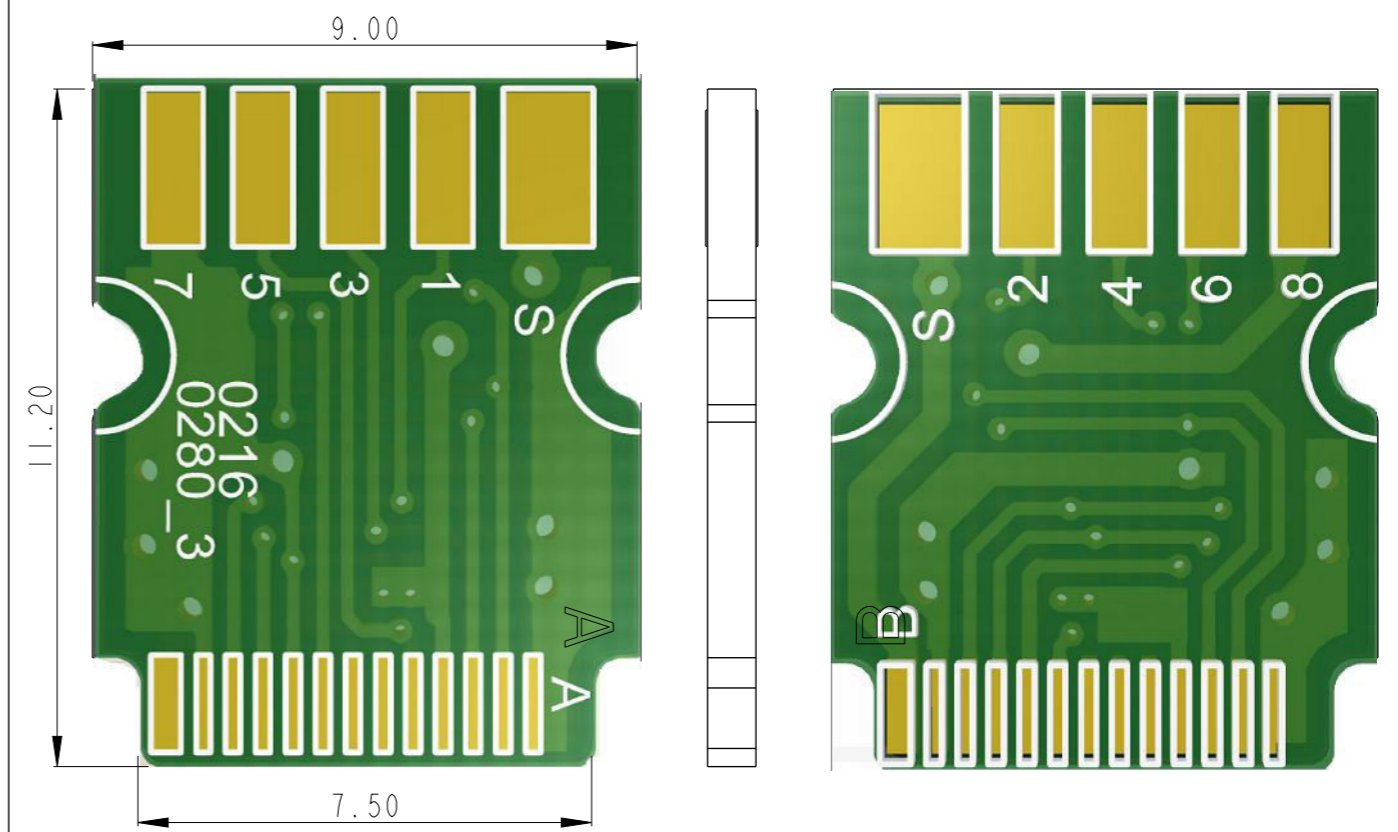
dr	LQ.Lei	2017-6-14
eng	Y-Y.BAO	2021-08-05
chr	LQ.LEI	2021-08-05
appr	TIM.YAO	2021-08-05
Amphenol FCI USB Type-C CABLE PLUG KITS		
cat. no.		

projection	mm	size	A3	scale	1.000
product family		ecn no		rel level	Change In Progress
dwg no	10144277		rev	G	
Product - Customer Drw			sheet 3 of 8		

PART MUMBER
10144277-40000LF



PCB STYLE 4



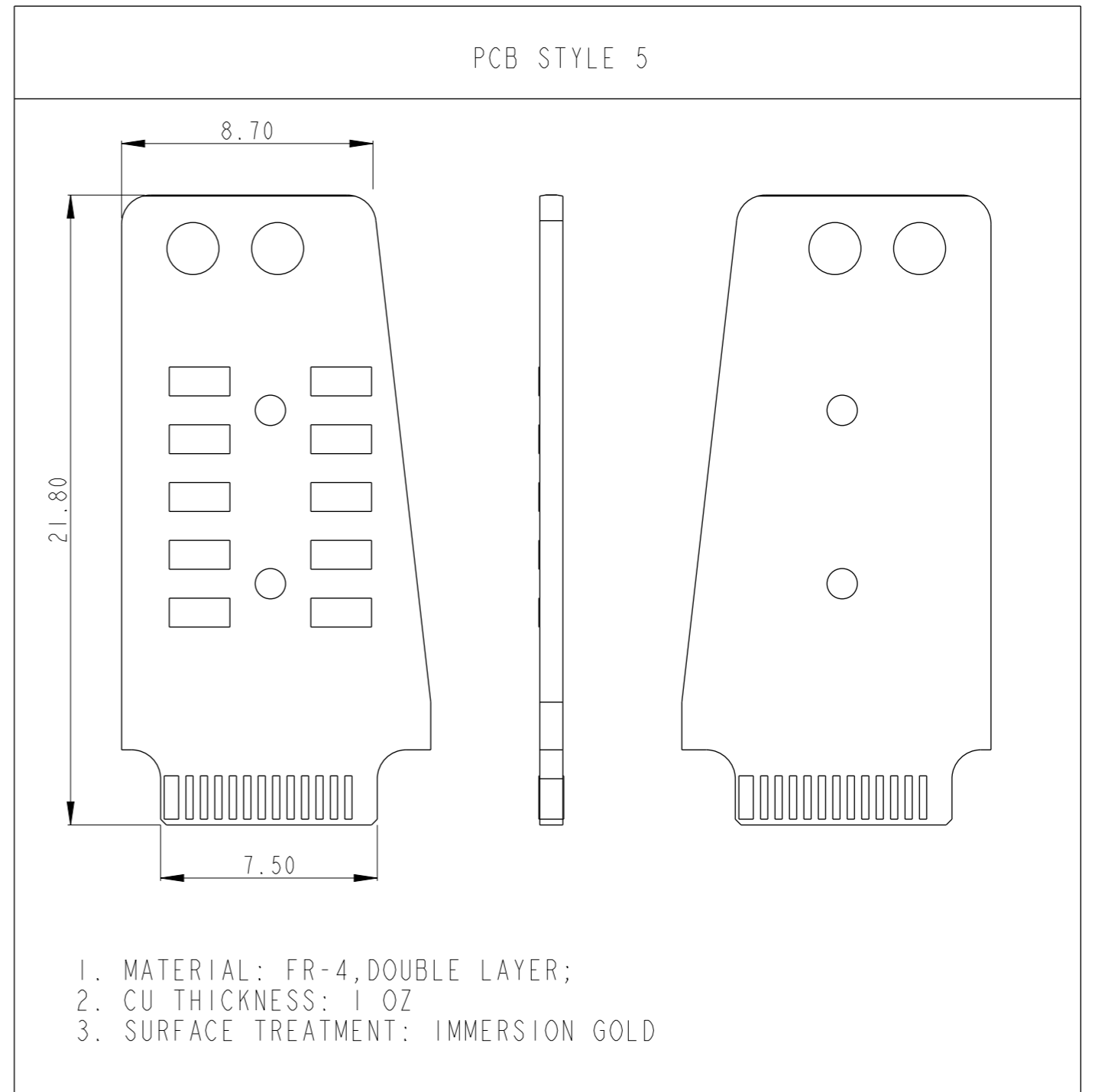
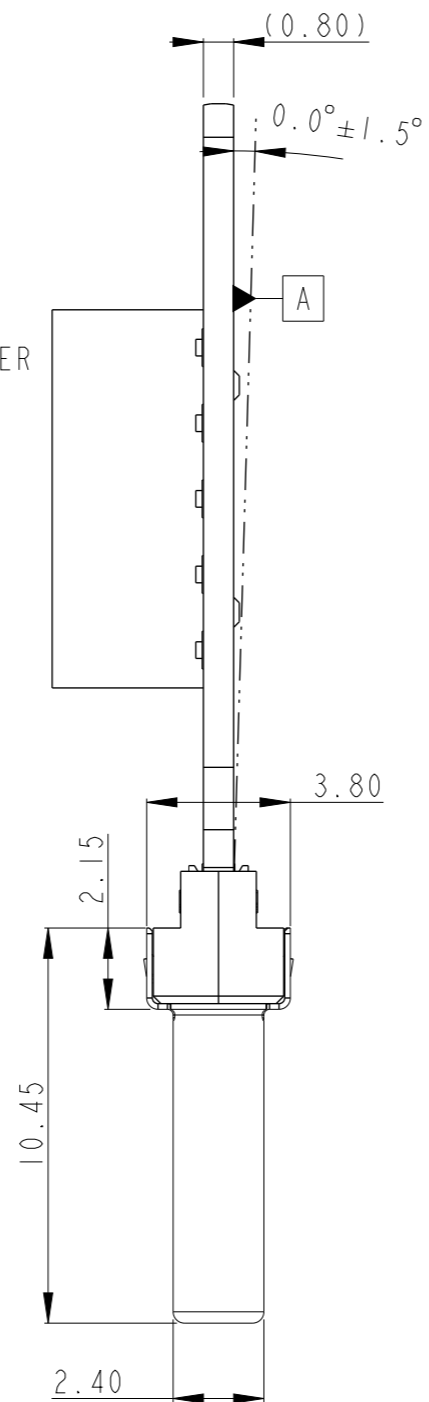
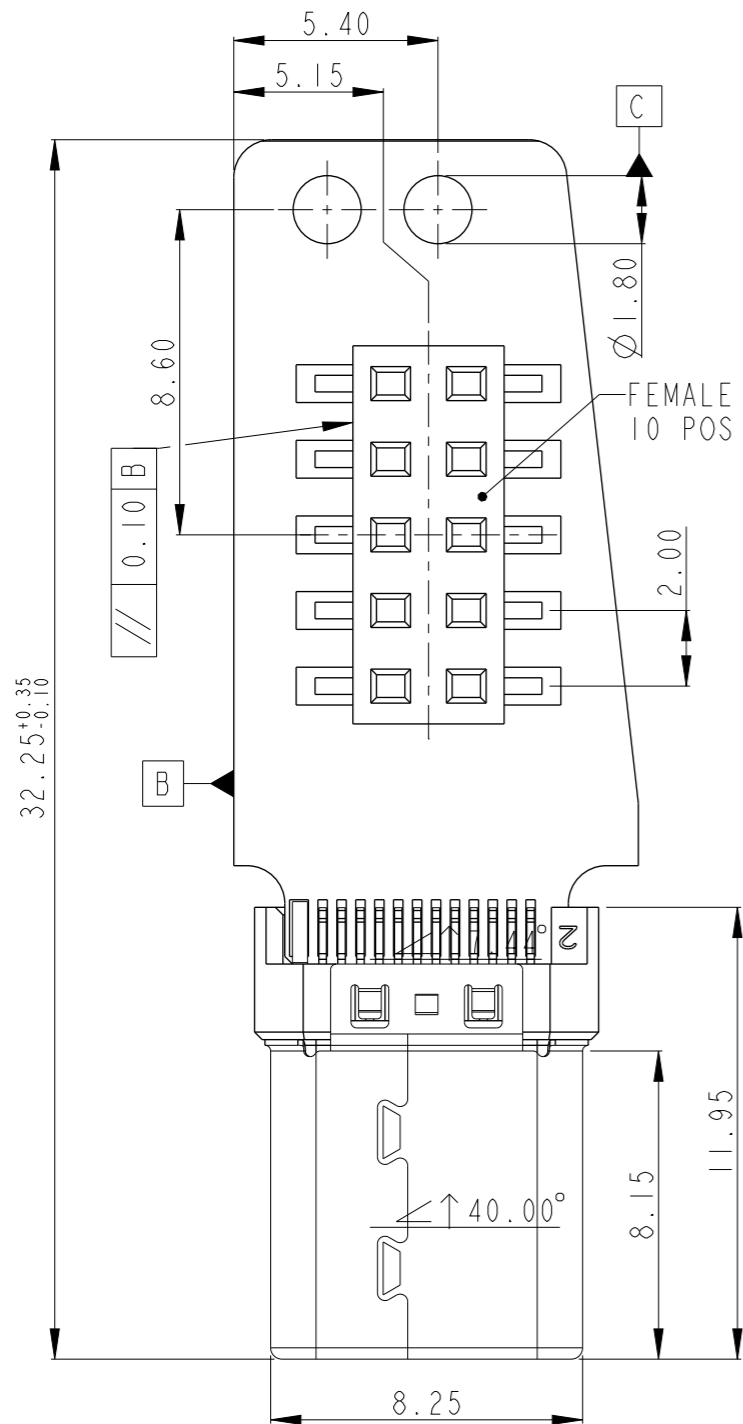
1. MATERIAL: FR-4, DOUBLE LAYER;
2. CU THICKNESS: 1 OZ
3. SURFACE TREATMENT: IMMERSION GOLD

Amphenol
FCi

© 2020 Amphenol Corporation

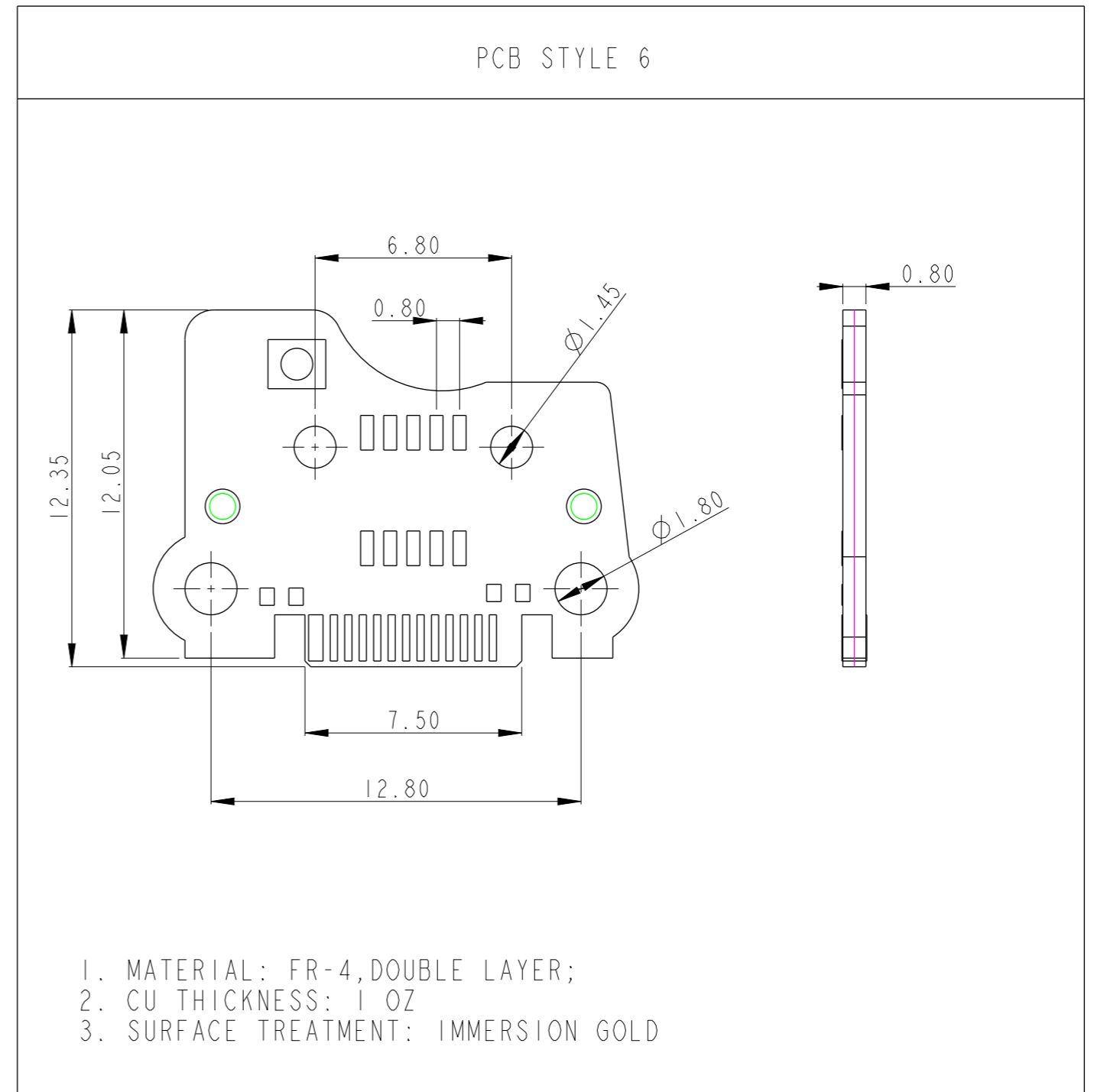
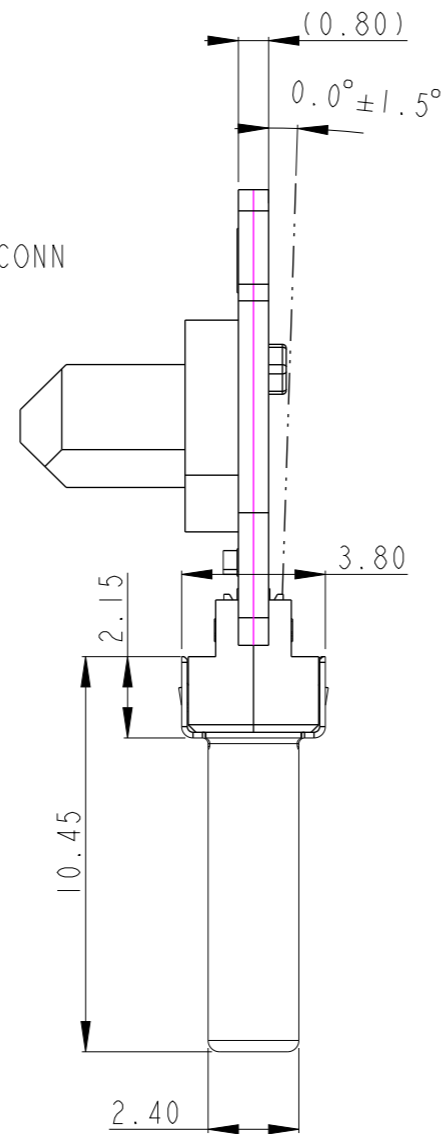
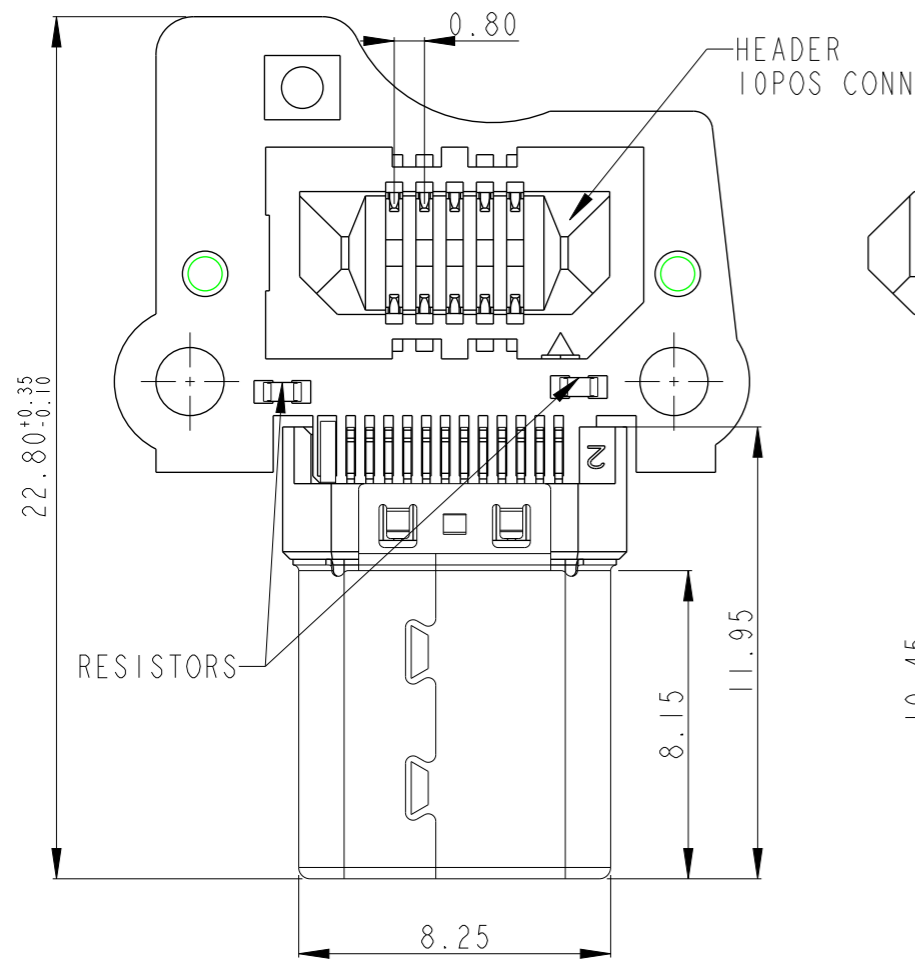
spec ref -		dr	LQLei	2017-6-14	projection 	mm ←→	size	A3	scale	4.000
tolerance std ISO 406 ISO 1101		eng	Y-Y.BAO	2021-08-05			ecn no			
TOLERANCES UNLESS OTHERWISE SPECIFIED		chr	LQLEI	2021-08-05	product family		rel level	Change In Progress		
		appr	TIM.YAO	2021-08-05						
surface	linear	0.X	±0.35	Amphenol FCi	title	USB Type-C CABLE PLUG KITS	dwg no	10144277	rev	G
		0.XX	±0.25							
	0.XXX	±0.15		cat. no.	Product - Customer Drw		sheet 4 of 8			
	angular	0°	±2°							

PART MUMBER
10144277-50000LF



spec ref	-	dr	LQLei	2017-6-14	projection	mm	size	A3	scale	1.000
tolerance std	ISO 406 ISO 1101	eng	Y-Y.BAO	2021-08-05			ecn no	rel level	Change In Progress	rev
TOLERANCES UNLESS OTHERWISE SPECIFIED		chr	LQLEI	2021-08-05						
surface	linear	appr	TIM.YAO	2021-08-05	product family					
	0.X ±0.35 0.XX ±0.25 0.XXX ±0.15	Amphenol FCI		USB Type-C CABLE PLUG KITS		dwg no	10144277		G	
ISO 1302	angular 0° ±2°	cat. no.		Product - Customer Drw		sheet 5 of 8				

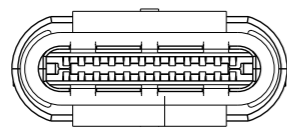
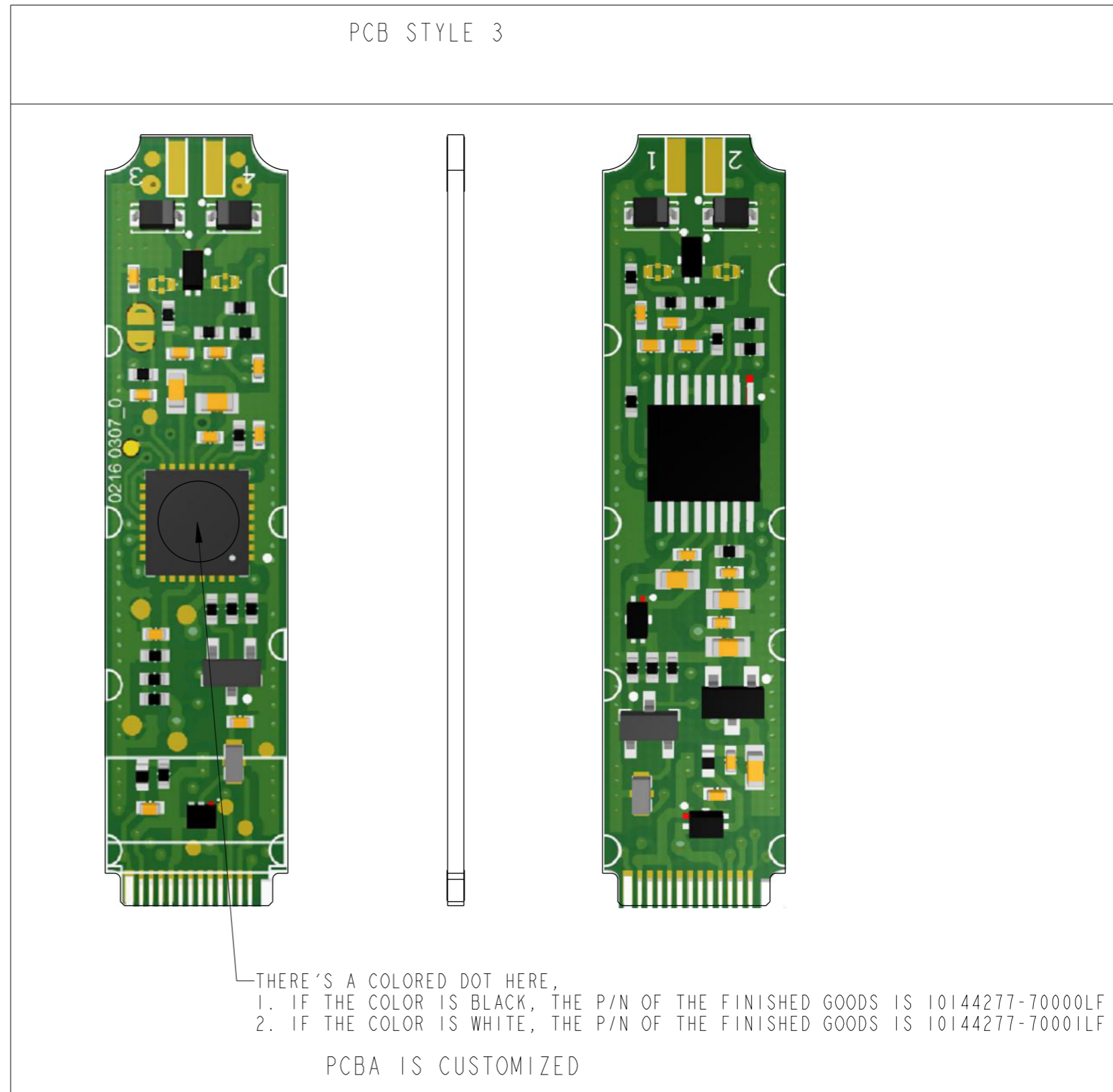
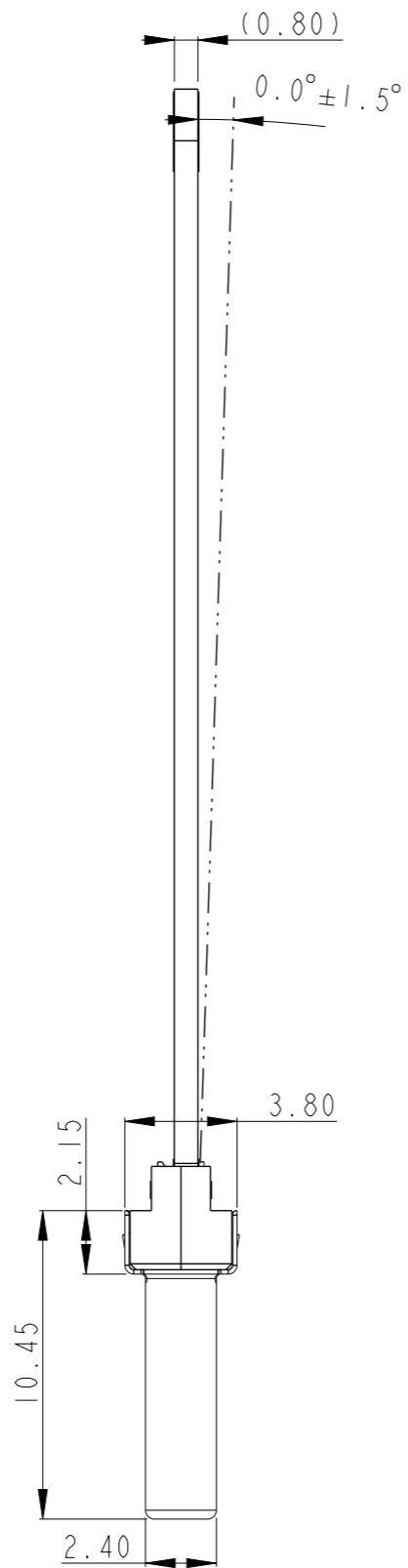
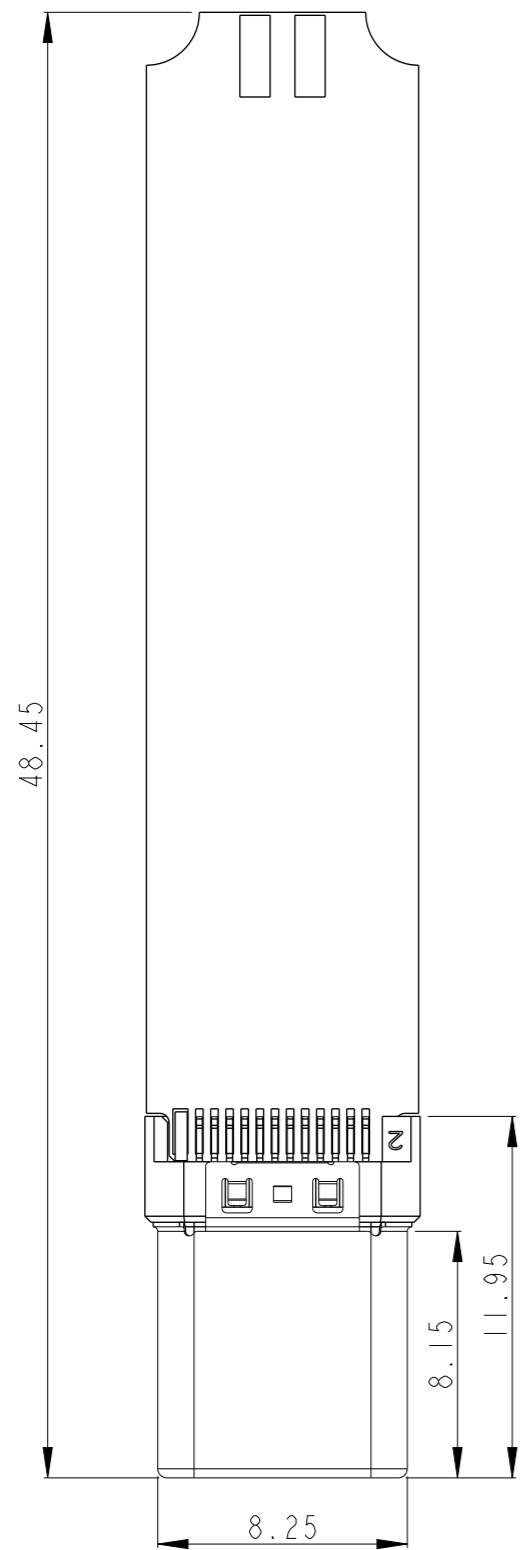
PART MUMBER
10144277-60000LF



1. MATERIAL: FR-4, DOUBLE LAYER;
2. CU THICKNESS: 1 OZ
3. SURFACE TREATMENT: IMMERSION GOLD

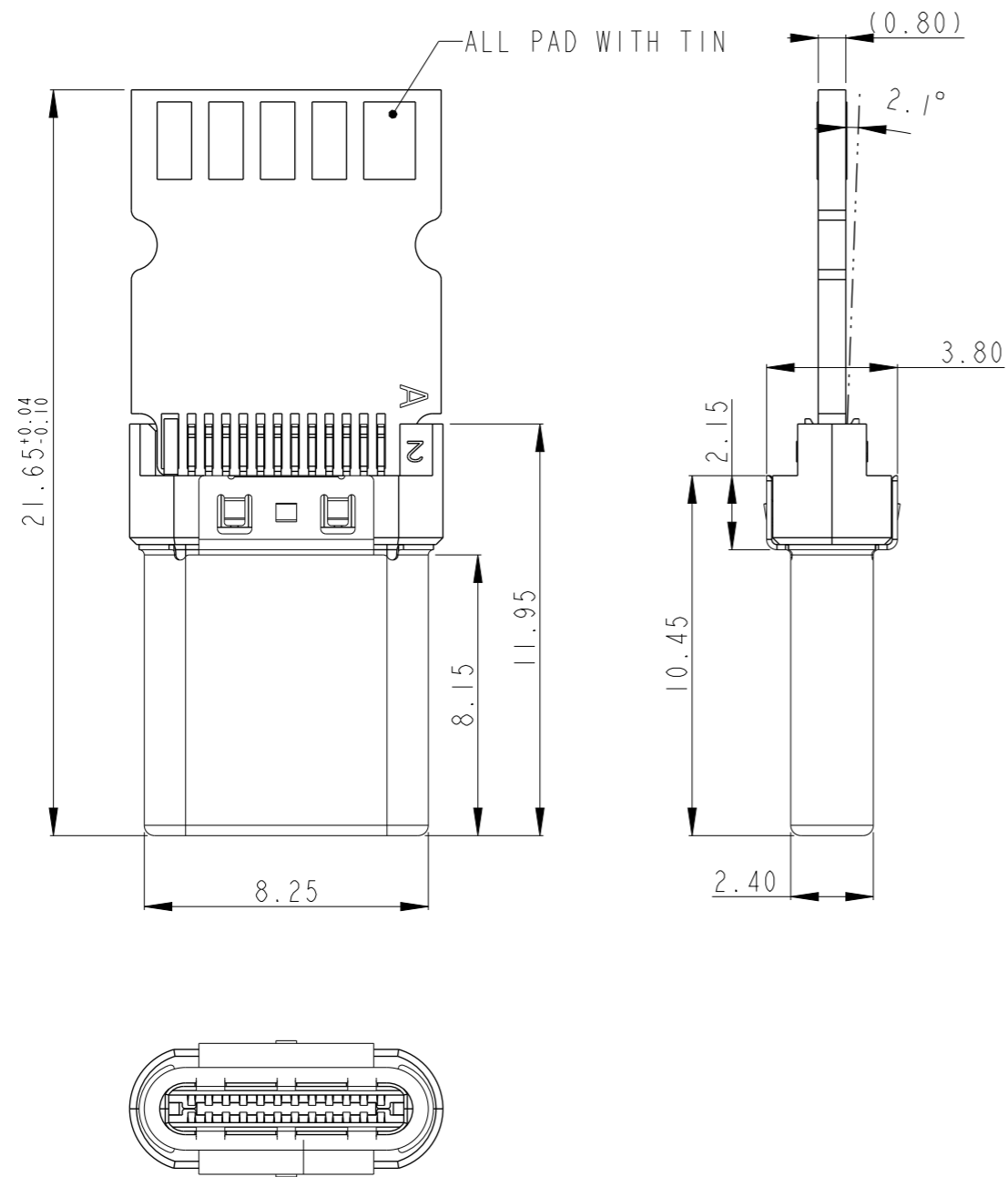
spec ref	-	dr	LQLei	2017-6-14	projection	mm	size	A3	scale	1.000
tolerance std	ISO 406 ISO 1101	eng	Y-Y.BAO	2021-08-05			ecn no	rel level	Change In Progress	rev
TOLERANCES UNLESS OTHERWISE SPECIFIED		chr	LQLEI	2021-08-05						
surface	linear	appr	TIM.YAO	2021-08-05	product family					
	0.X	±0.35		USB Type-C CABLE PLUG KITS	cat. no.	Product - Customer Drw	sheet 6 of 8	dwg no	10144277	G
	0.XX	±0.25								
	0.XXX	±0.15								
ISO 1302	angular	0°	±2°							

PART MUMBER	COLOR OF THE DOT
10144277-70000LF	BLACK
10144277-70001LF	WHITE

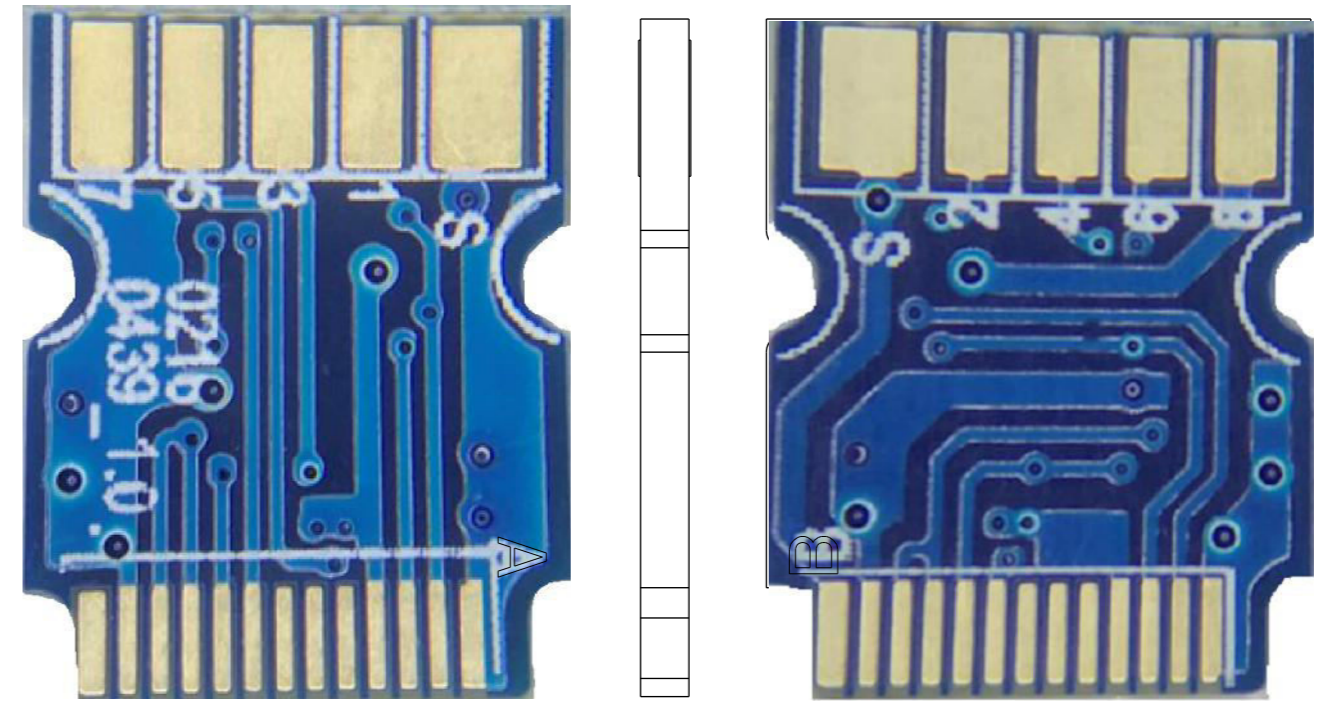


spec ref	-	dr	LQLei	2017-6-14	projection	mm	size	A3	scale	1.000
tolerance std	ISO 406 ISO 1101	eng	Y-Y.BAO	2021-08-05			ecn no	rel level	Change In Progress	rev
TOLERANCES UNLESS OTHERWISE SPECIFIED		chr	LQLEI	2021-08-05						
surface	linear	0.X	±0.35		USB Type-C		dwg no	10144277	Product - Customer Drw	sheet 7 of 8
		0.XX	±0.25		CABLE PLUG KITS					
	angular	0°	±2°		cat. no.					

PART NUMBER
10144277-80000LF



PCB STYLE 8



1. MATERIAL: FR-4, DOUBLE LAYER;
2. CU THICKNESS: 1 OZ
3. SURFACE TREATMENT: IMMERSION GOLD

spec ref	-			dr	LQLei	2017-6-14		mm	size	A3	scale	4.000
tolerance std	TOLERANCES UNLESS OTHERWISE SPECIFIED			eng	Y-Y.BAO	2021-08-05			ecn no			
ISO 406				chr	LQLEI	2021-08-05			rel level	Change In Progress		
ISO 1101				appr	TIM.YAO	2021-08-05			product family			
surface	linear	0.X	±0.35		title			USB Type-C CABLE PLUG KITS	dwg no 10144277	rev G		
		0.XX	±0.25		cat. no.	Product - Customer Drw					sheet 8 of 8	
ISO 1302	angular	0°	±2°									

PCN Reference	MPN	Change	Effective Date
PCN26060	10144277-20000LF	DOCUMENTATION CHANGE	MAY 10 2026
PCN26060	10144277-30000LF	DOCUMENTATION CHANGE	MAY 10 2026
PCN26060	10144277-40000LF	DOCUMENTATION CHANGE	MAY 10 2026
PCN26060	10144277-50000LF	DOCUMENTATION CHANGE	MAY 10 2026
PCN26060	10144277-60000LF	DOCUMENTATION CHANGE	MAY 10 2026
PCN26060	10144277-70000LF	DOCUMENTATION CHANGE	MAY 10 2026
PCN26060	10144277-70001LF	DOCUMENTATION CHANGE	MAY 10 2026
PCN26060	10144277-80000LF	DOCUMENTATION CHANGE	MAY 10 2026

