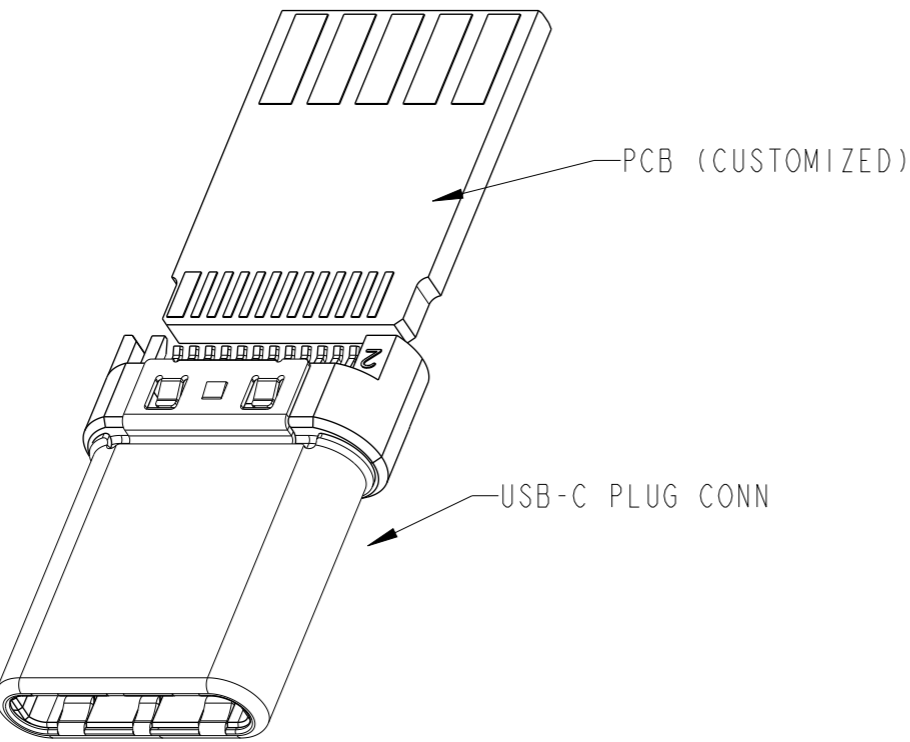


<b>Product Name:</b>	HPL – 511 USB	
	USB3.1 TYPE-C plug ,Kits	
<b>Product Manager:</b>	Cui, Noel	
<b>Subject:</b>	Notification of Change with Immediate Effectivity	
<b>Distribution:</b>	Affected customers	
<b>Type of Change:</b>	Documentation Change	
<b>Change Description:</b>	Add new part number 10144277-30001LF for PCB style selection	
<b>Reason for Change:</b>	New part number to distinguish between two different types of PCB. One type has white dots on it, while the other type has black dots. Refer to the customer drawing for details.	
<b>Affected Parts:</b>	10144277 series	
<b>Effective Date of Change:</b>	May,05 2026	
<b>Last Time Buy Date:</b>	NA	
<b>Earliest Disty Return Date:</b>	NA	
<b>Last Time Shipment Date</b>	NA	
<b>Datasheet Attached?</b>	Yes	
<b>Qual/Test Data Attached?</b>	Yes	
<b>Samples Availability Date:</b>	05 May ,2026	
<b>Available Alternatives?</b>		
<b>Questions?</b>	<i>Contact your local ACS Representative, or Product Manager</i>	
	<i>Cui, Noel / Product Manager</i>	
	<i>noel.cui@amphenol-fci.com</i>	

**Note:**

Customers should contact Product Line Manager (or their local Amphenol Representative) directly regarding any concern on the PCN. Lack of any such customer feedback within three weeks of PCN release date will be interpreted as non-objection .



- NOTE:
1. MATERIAL:
    - 1.1 USB-C PLUG CONN (P/N:10133475)
    - 1.2 PCB (CUSTOMIZED)
  2. LEAD FREE PRODUCT MEETS EUROPEAN UNION DIRECTIVES AND OTHER COUNTRY REGULATIONS AS DISCRIBLED IN GS-22-008
  3. PRODUCT IS HALOGEN FREE PRODUCTS.
  4. DIMENSIONING SHALL BE INTERPRETED PER ANSI Y14.5-2009;
  5. THIS DESIGN COMPLY WITH UNIVERSAL SERIAL BUS TYPE-C SPECIFICATION

PART MUNBER CODE: 10144277 - X 0 0 0 X LF

CONN OPTION

0. 10133475-10000LF
1. 10133475-10000LF
2. 10133475-10001LF

PCB AND ELECTRON COMPONENT OPTION

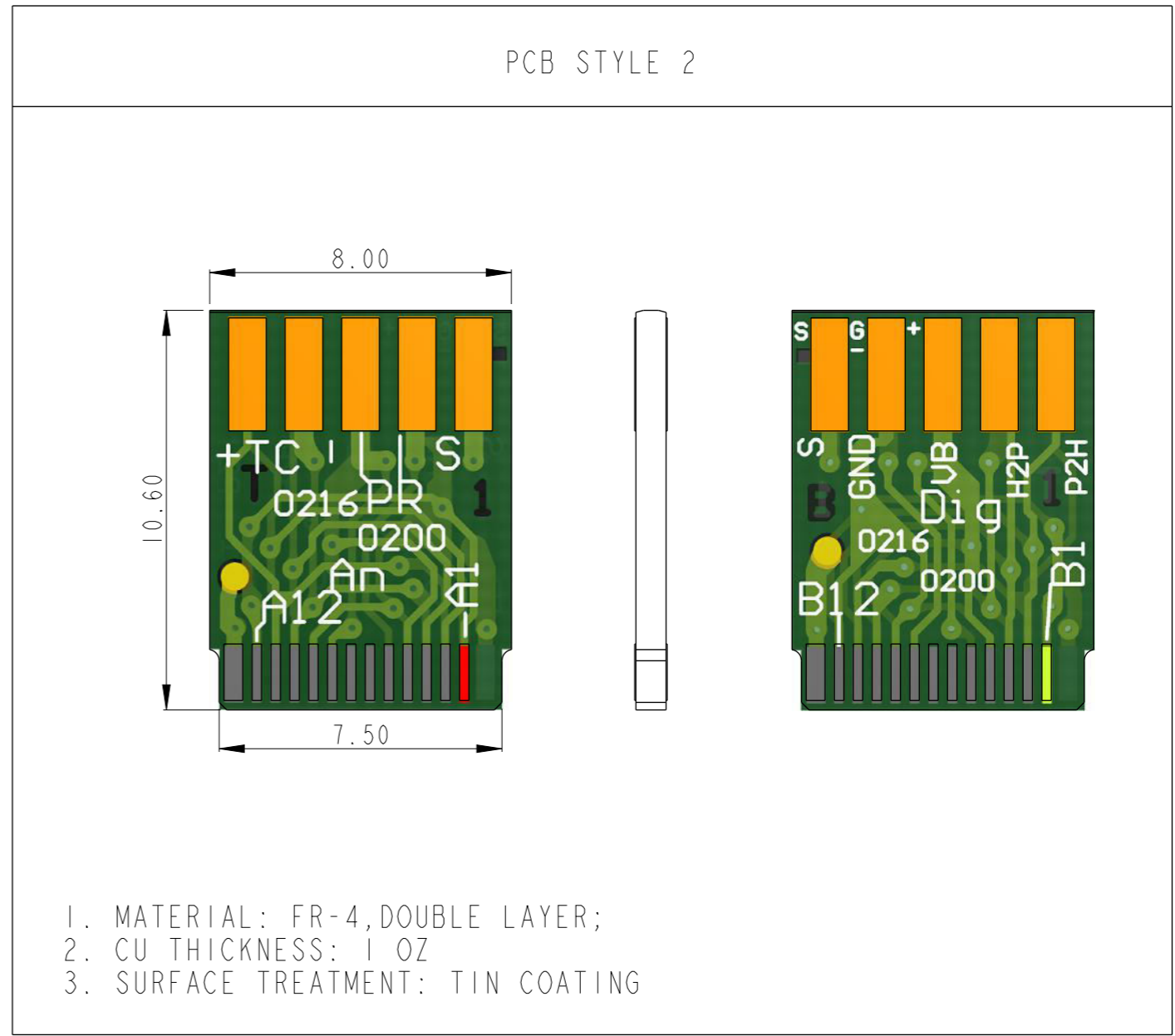
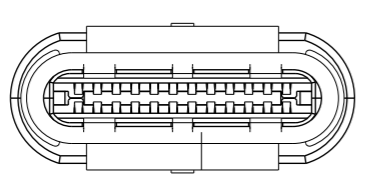
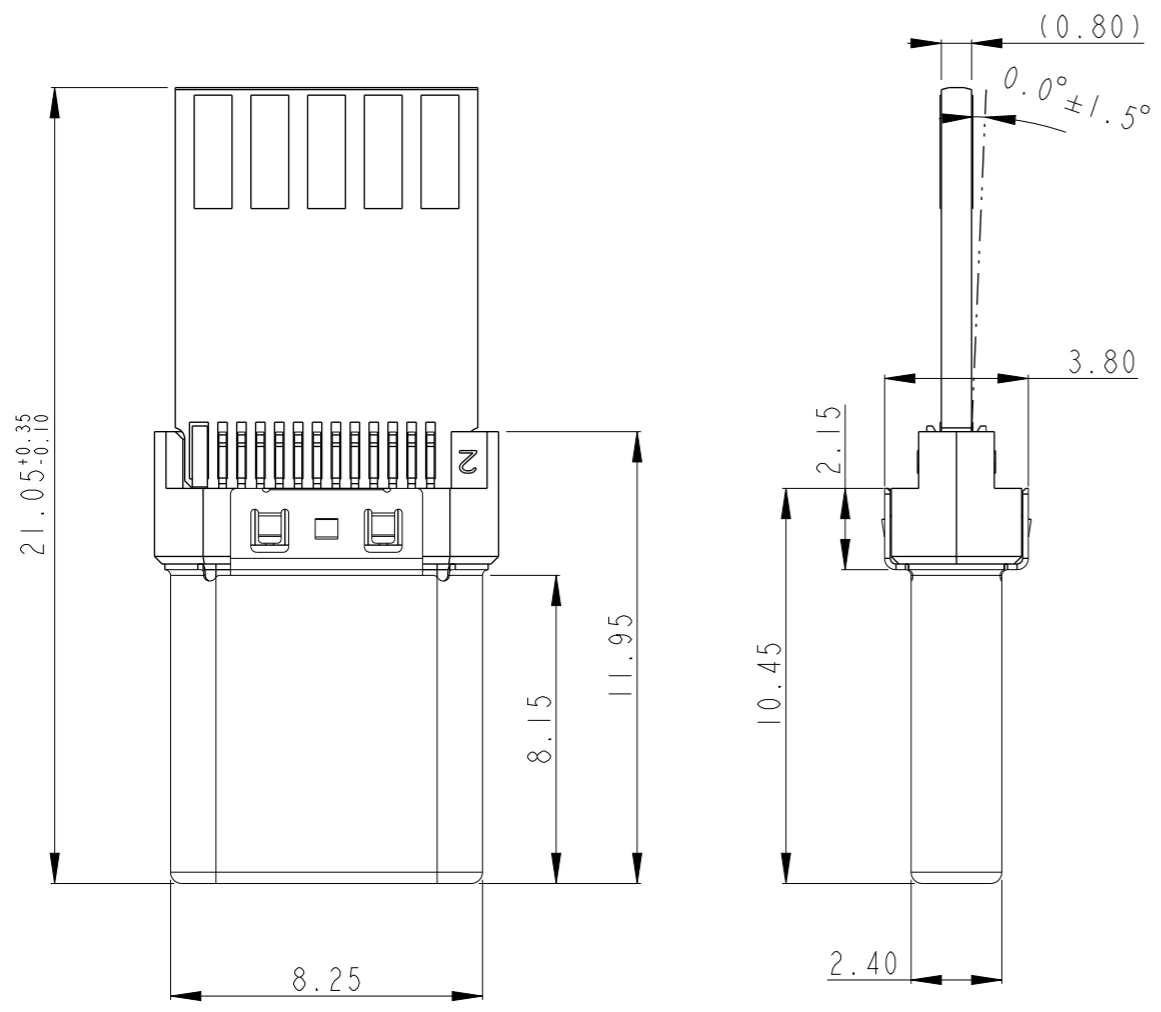
- 2: WITH PCB STYLE 2 (REF SHEET 2)
- 3: WITH PCB STYLE 3 (REF SHEET 3)
- 4: WITH PCB STYLE 4 (REF SHEET 4)
- 5: WITH PCB STYLE 5 + FEMALE HEADER 10 POS CONN (REF SHEET 5)
- 6: WITH PCB STYLE 6 + HEADER 10POS CONN+ RESISTORS (REF SHEET 6)
- 7: WITH PCB STYLE 7 (REF SHEET 7)
- 8: WITH PCB STYLE 8 (REF SHEET 8)

Amphenol  
FCi

© 2020 Amphenol Corporation

spec ref -		dr	LQLei	2017-6-14	projection 	mm 	size	A3	scale	1.000
tolerance std ISO 406 ISO 1101		eng	Y-Y.BAO	2021-08-05			ecn no			
TOLERANCES UNLESS OTHERWISE SPECIFIED		chr	LQLEI	2021-08-05			rel level	Change In Progress		
surface	linear	0.X	±0.35	Amphenol FCi	USB Type-C CABLE PLUG KITS	dwg no	10144277	rev	G	
		0.XX	±0.25							
		0.XXX	±0.15							
ISO 1302	angular	0°	±2°	cat. no.	Product - Customer Drw	sheet 1 of 8				

PART MUMBER  
10144277-20000LF



1. MATERIAL: FR-4, DOUBLE LAYER;
2. CU THICKNESS: 1 OZ
3. SURFACE TREATMENT: TIN COATING

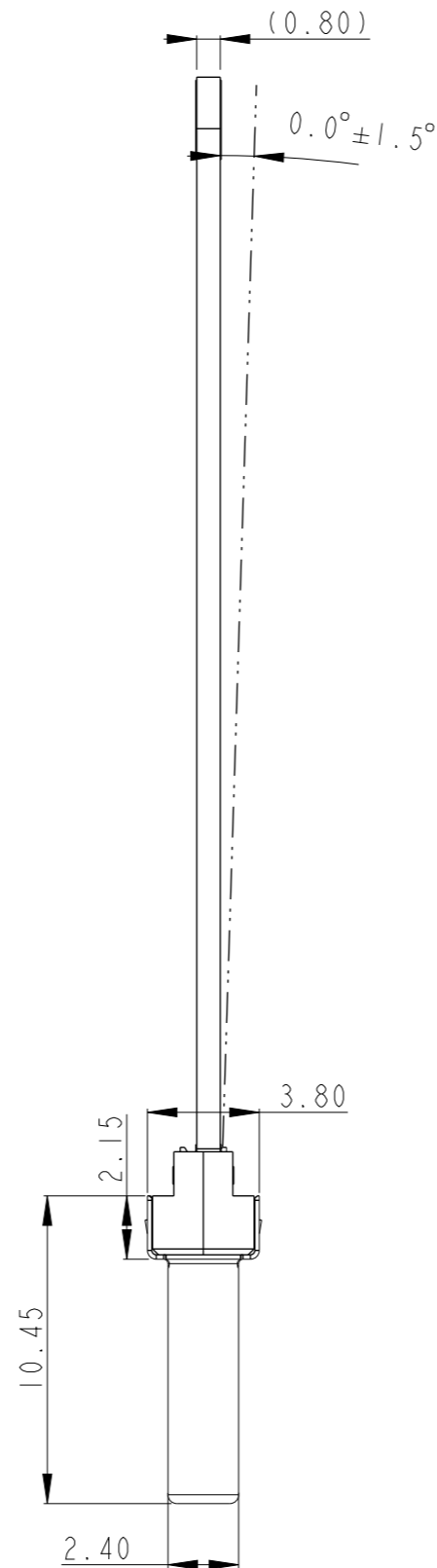
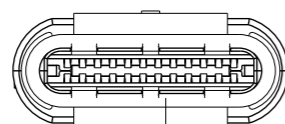
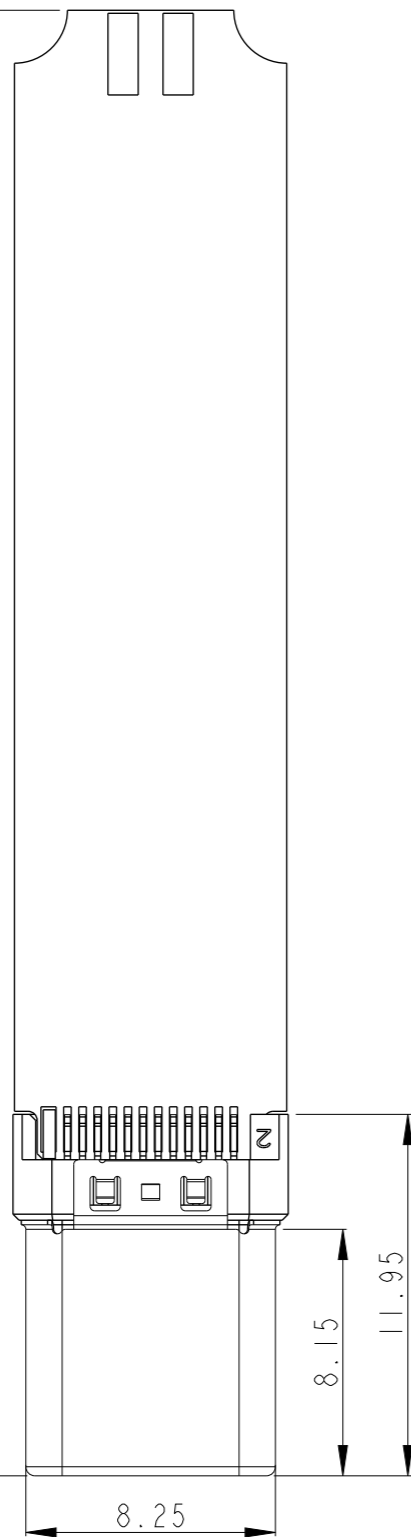
Amphenol  
FCi

© 2020 Amphenol Corporation

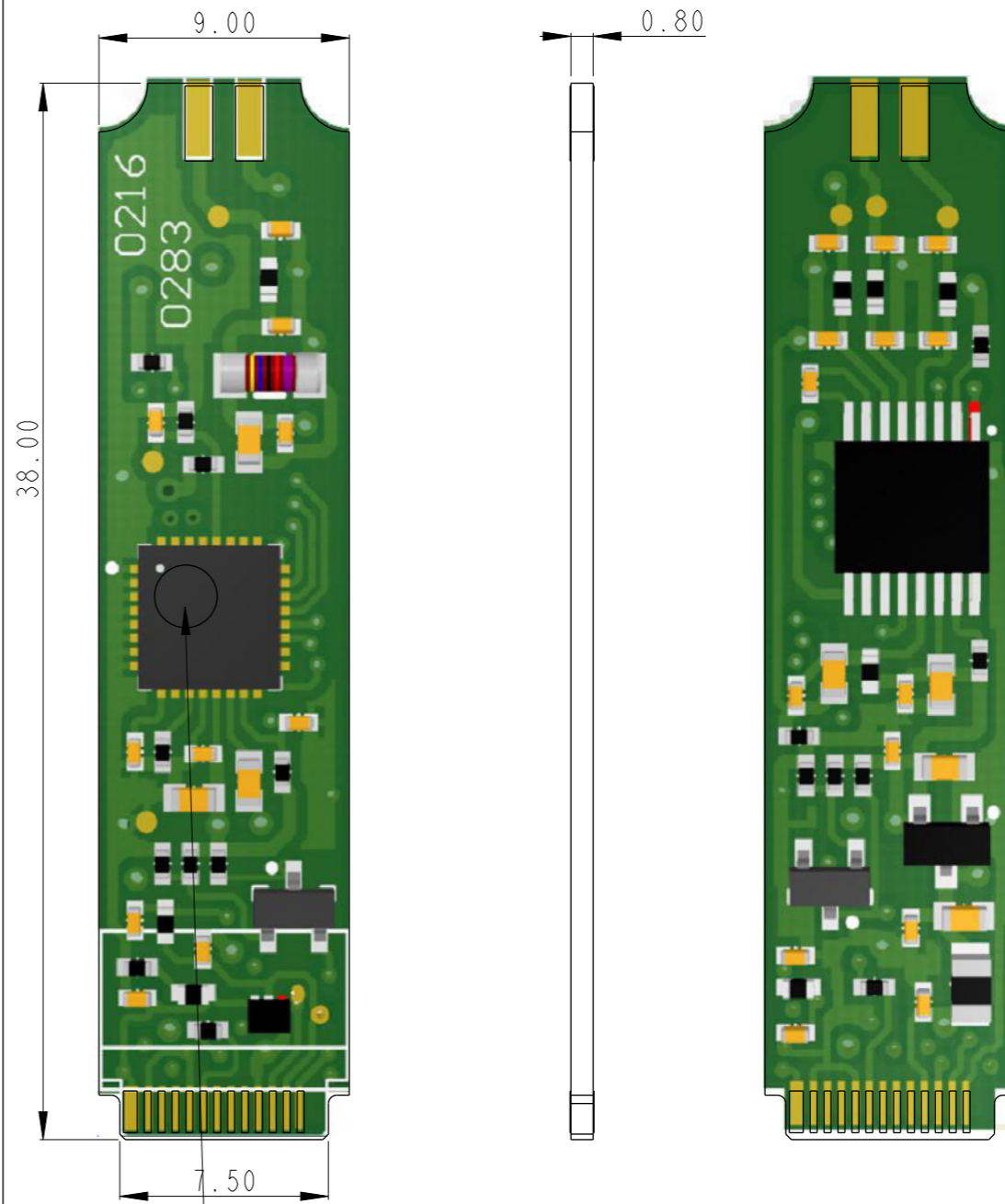
spec ref	-			dr	LQLei	2017-6-14		mm	size	A3	scale	5.000
tolerance std	TOLERANCES UNLESS OTHERWISE SPECIFIED			eng	Y-Y.BAO	2021-08-05			ecn no	rel level	Change In Progress	
ISO 406				chr	LQLEI	2021-08-05					product family	rel level
ISO 1101				appr	TIM.YAO	2021-08-05						
surface	linear	0.X	±0.35		title			USB Type-C CABLE PLUG KITS	dwg no 10144277	rev		
		0.XX	±0.25				G					
	0.XXX	±0.15										
ISO 1302	angular	0°	±2°	cat. no.			Product - Customer Drw		sheet 2 of 8			

PART MUNBER	COLOR OF THE DOT
10144277-30000LF	BLACK
10144277-30001LF	WHITE

48.45<sup>+0.35</sup><sub>-0.10</sub>



PCB STYLE 3



THERE'S A COLORED DOT HERE,  
 1. IF DOT IS BLACK, THE P/N OF THE FINISHED GOODS IS 10144277-30000LF  
 2. IF DOT IS WHITE, THE P/N OF THE FINISHED GOODS IS 10144277-30001LF

PCBA IS CUSTOMIZED

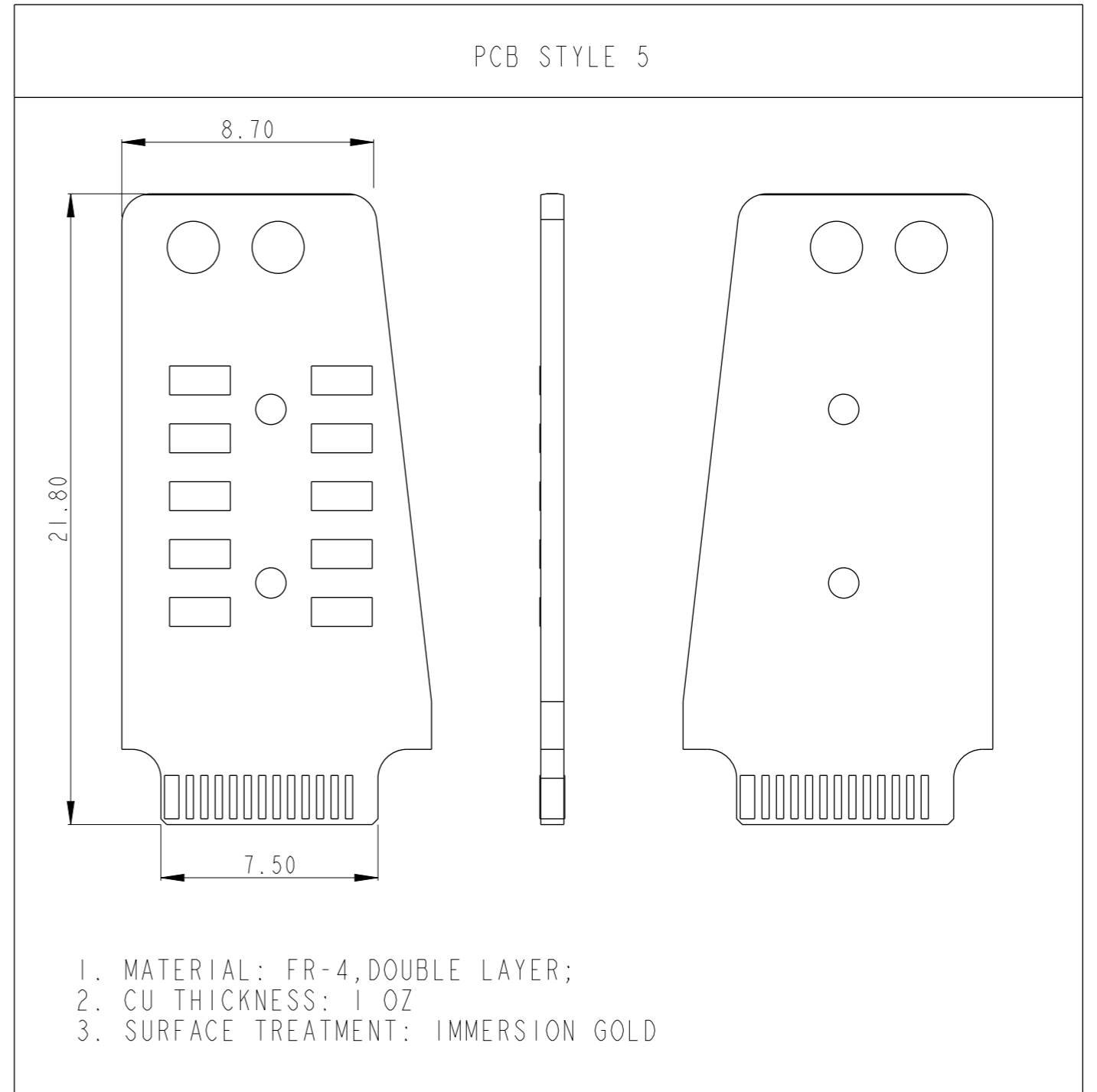
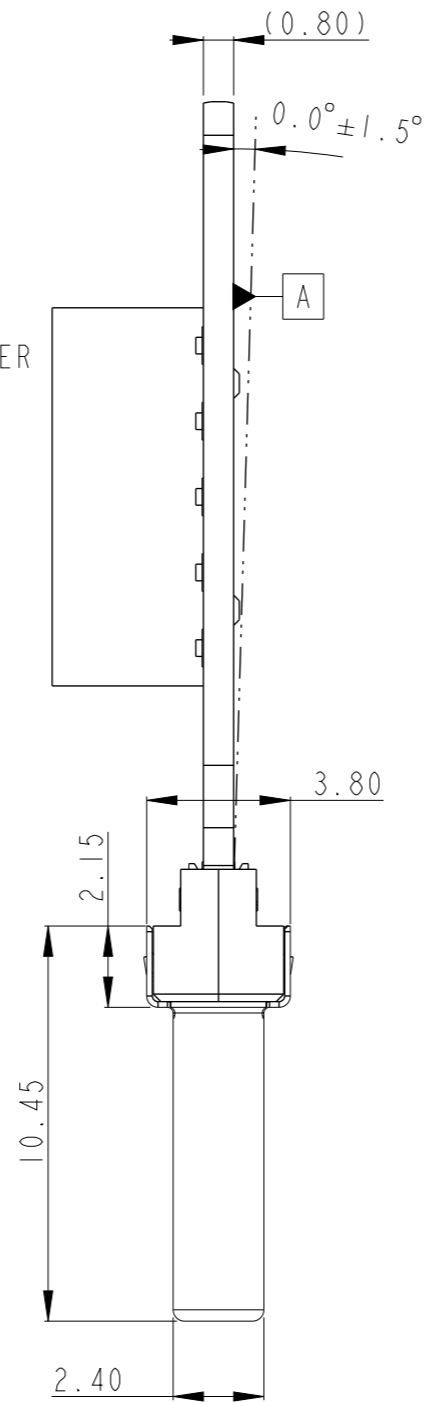
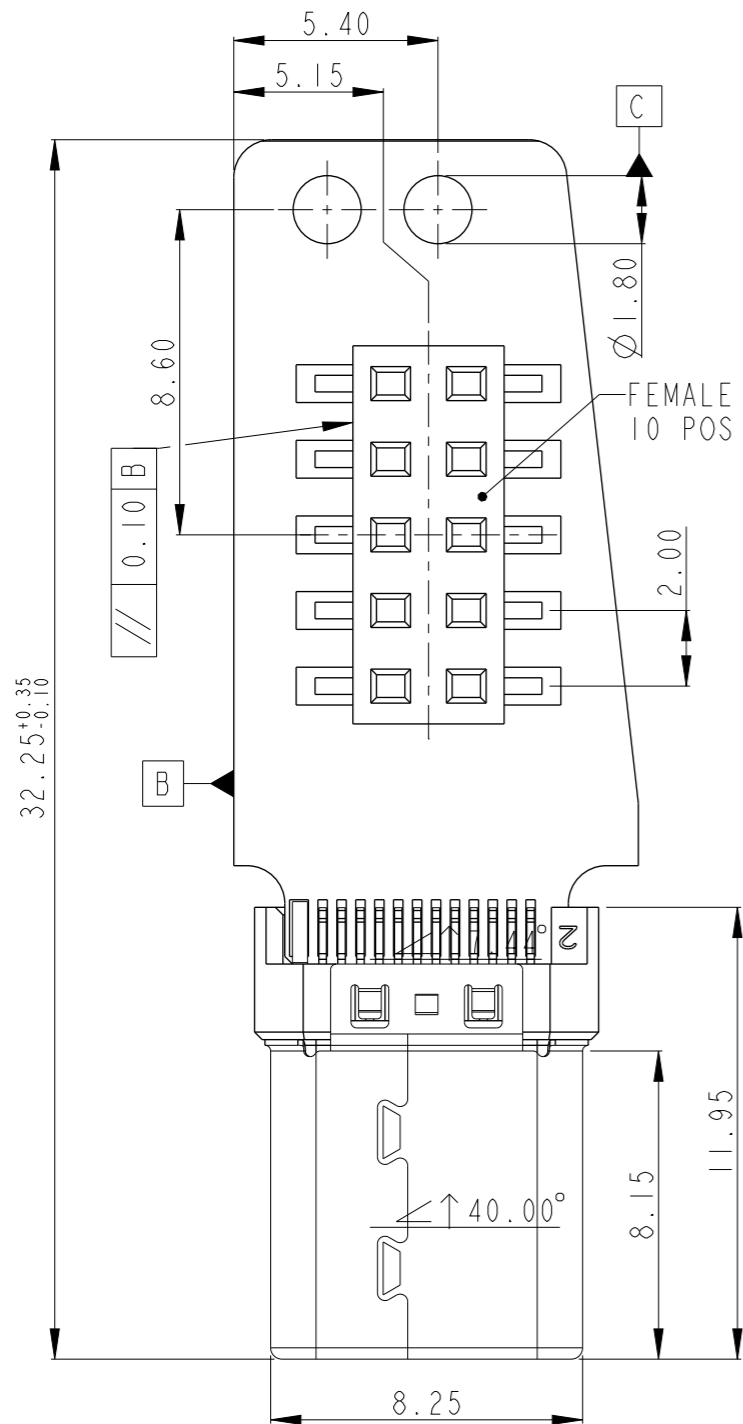
spec ref	-
tolerance std	ISO 406 ISO 1101
surface	ISO 1302
linear	0.X ±0.35 0.XX ±0.25 0.XXX ±0.15
angular	0° ±2°

dr	LQ.Lei	2017-6-14
eng	Y-Y.BAO	2021-08-05
chr	LQ.LEI	2021-08-05
appr	TIM.YAO	2021-08-05
Amphenol FCI	USB Type-C CABLE PLUG KITS	
cat. no.	Product - Customer Drw	

projection	mm	size	A3	scale	1.000
product family		ecn no		rel level	Change In Progress
dwg no	10144277		rev	G	
sheet 3 of 8					

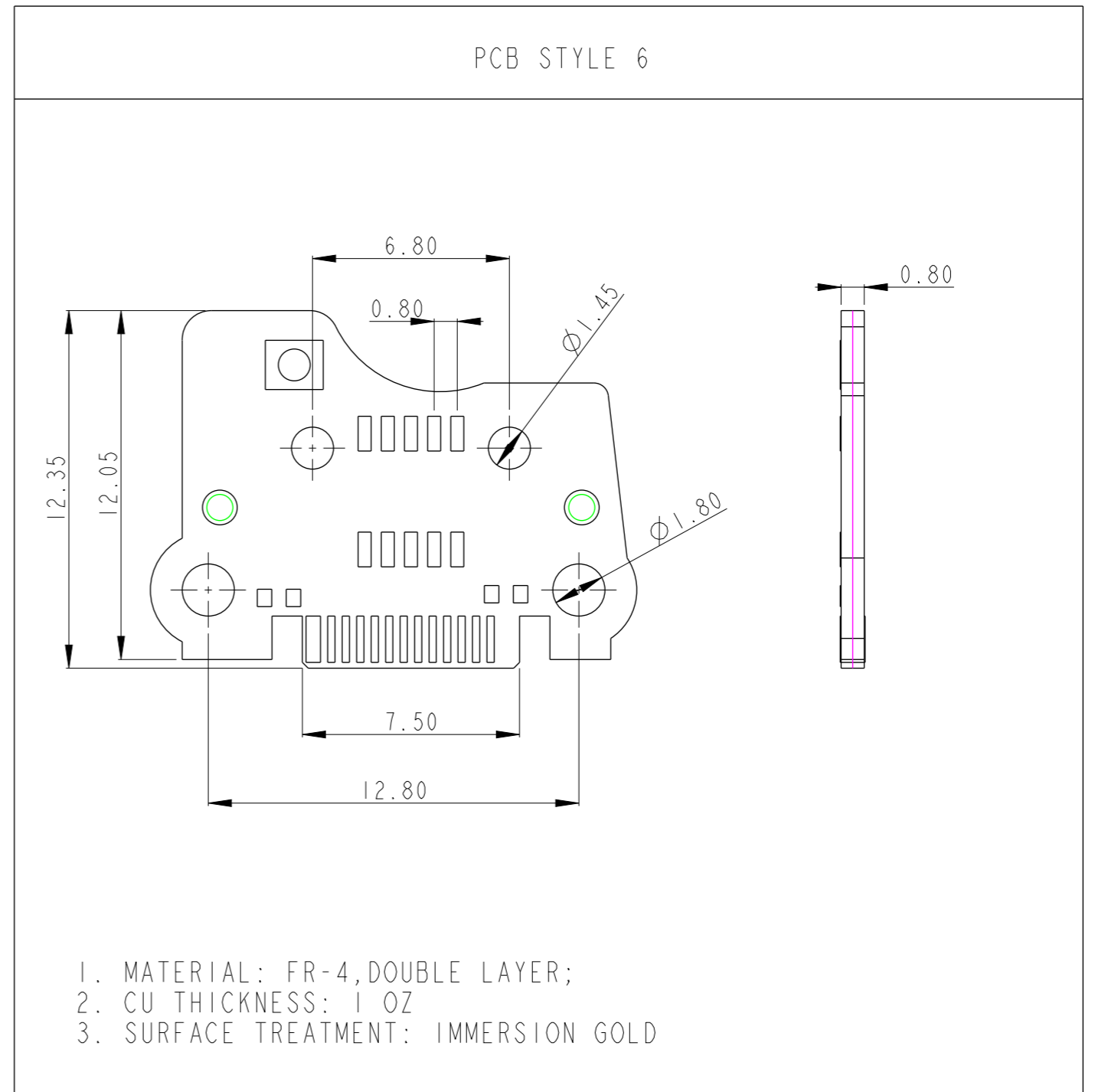
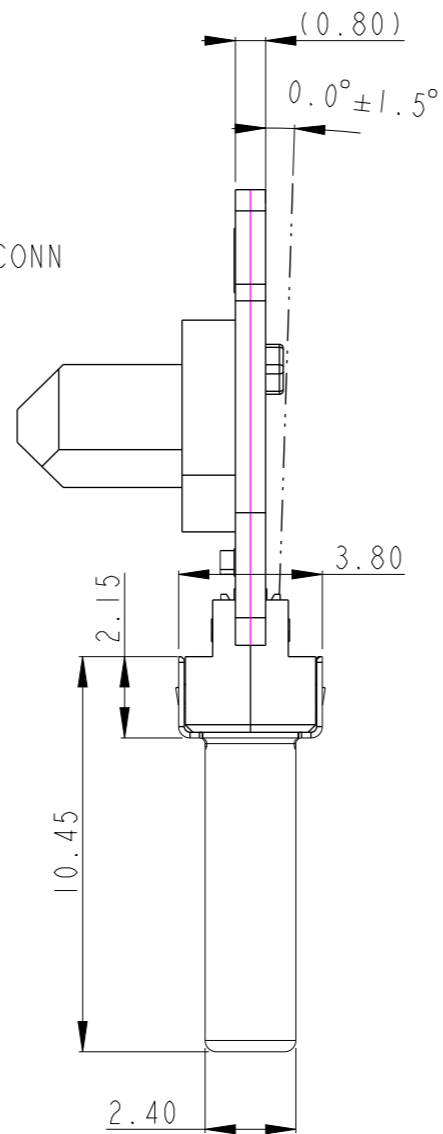
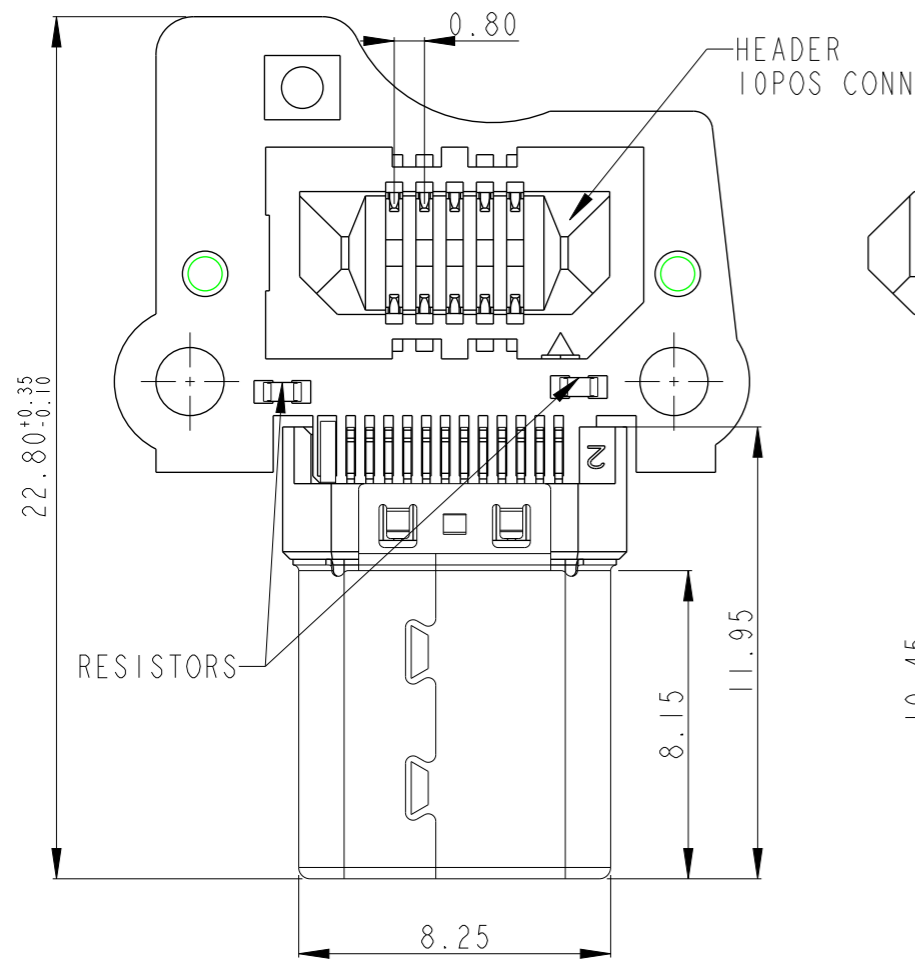


PART MUMBER  
10144277-50000LF



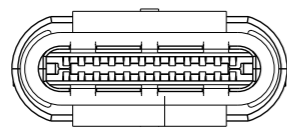
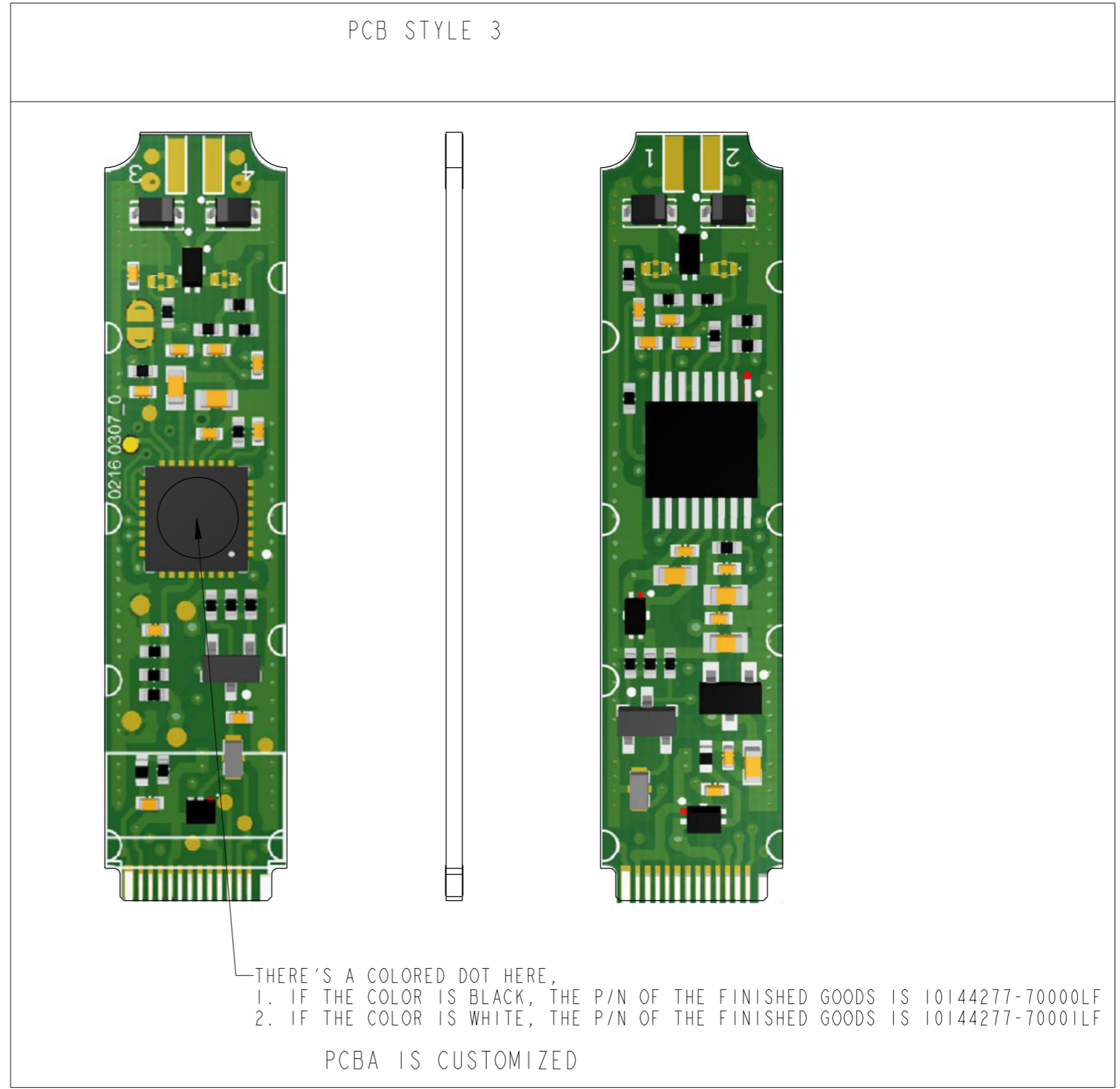
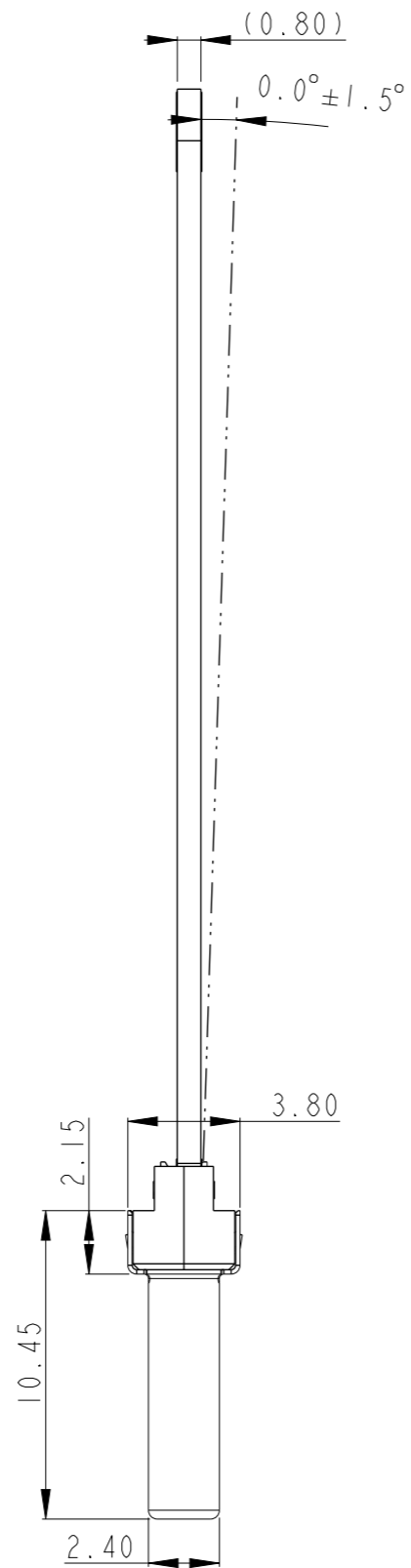
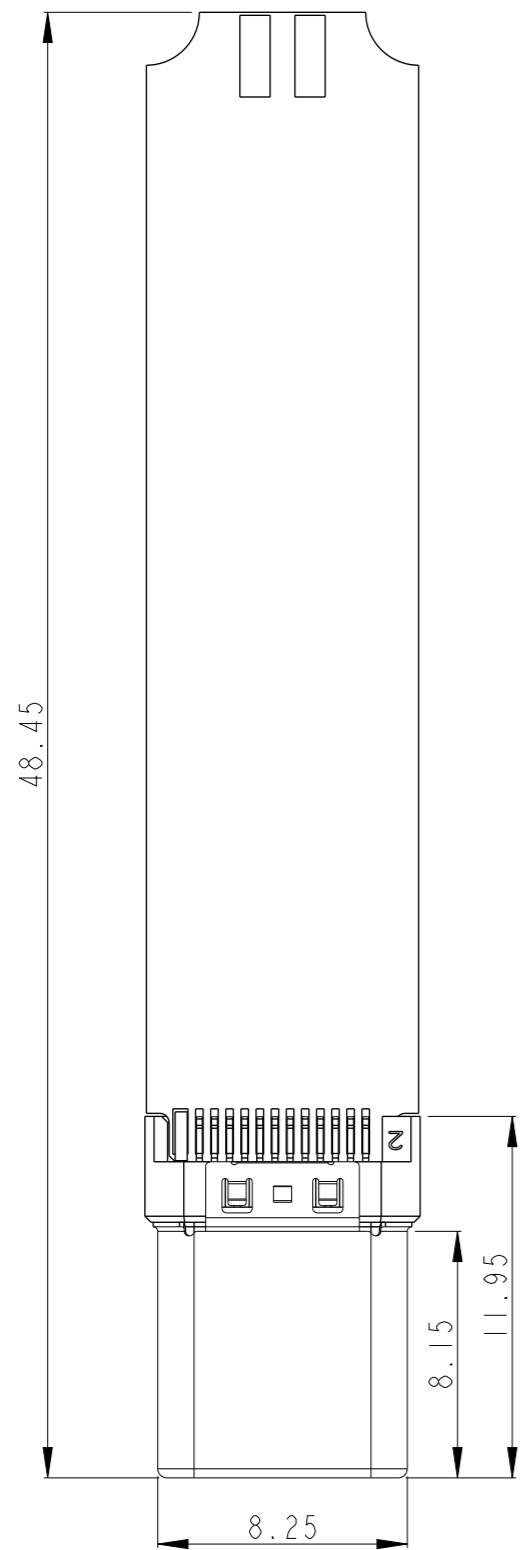
spec ref	-	dr	LQLei	2017-6-14	projection	mm	size	A3	scale	1.000
tolerance std	ISO 406 ISO 1101	eng	Y-Y.BAO	2021-08-05			ecn no	rel level	Change In Progress	rev
TOLERANCES UNLESS OTHERWISE SPECIFIED		chr	LQLEI	2021-08-05						
surface	linear	appr	TIM.YAO	2021-08-05	product family					
ISO 1302	angular									
	0.X	±0.35	Amphenol FCI		USB Type-C		dwg no	10144277	sheet 5 of 8	G
	0.XX	±0.25			CABLE PLUG KITS					
	0.XXX	±0.15	cat. no.		Product - Customer Drw					
	0°	±2°								

PART MUMBER  
10144277-60000LF



spec ref -		dr	LQLei	2017-6-14	projection	mm	size	A3	scale	1.000
tolerance std		eng	Y-Y.BAO	2021-08-05			ecn no	rel level <b>Change In Progress</b>		
ISO 406 ISO 1101		TOLERANCES UNLESS OTHERWISE SPECIFIED				chr		LQLEI	2021-08-05	product family
surface		linear	0.X	$\pm 0.35$		USB Type-C CABLE PLUG KITS	dwg no 10144277	rev		
ISO 1302			0.XX	$\pm 0.25$				G		
		angular	0°	$\pm 2^\circ$	cat. no.		Product - Customer Drw		sheet 6 of 8	

PART MUMBER	COLOR OF THE DOT
10144277-70000LF	BLACK
10144277-70001LF	WHITE

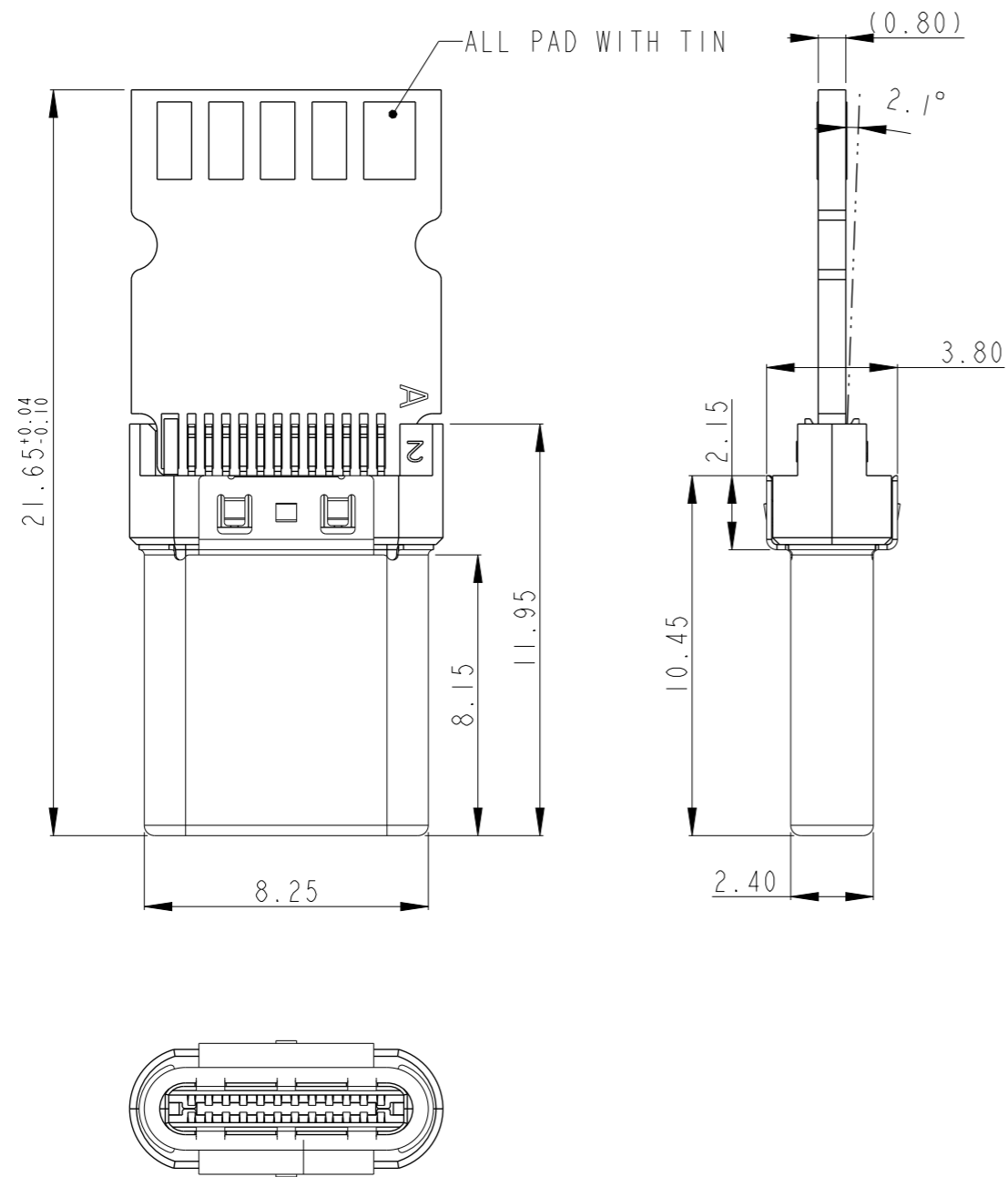


spec ref	-	dr	LQ.Lei	2017-6-14	projection	mm	size	A3	scale	1.000
tolerance std	ISO 406 ISO 1101	eng	Y-Y.BAO	2021-08-05			ecn no	rel level	Change In Progress	rev
TOLERANCES UNLESS OTHERWISE SPECIFIED		chr	LQ.LEI	2021-08-05						
surface	linear	appr	TIM.YAO	2021-08-05	USB Type-C CABLE PLUG KITS					
ISO 1302	angular									

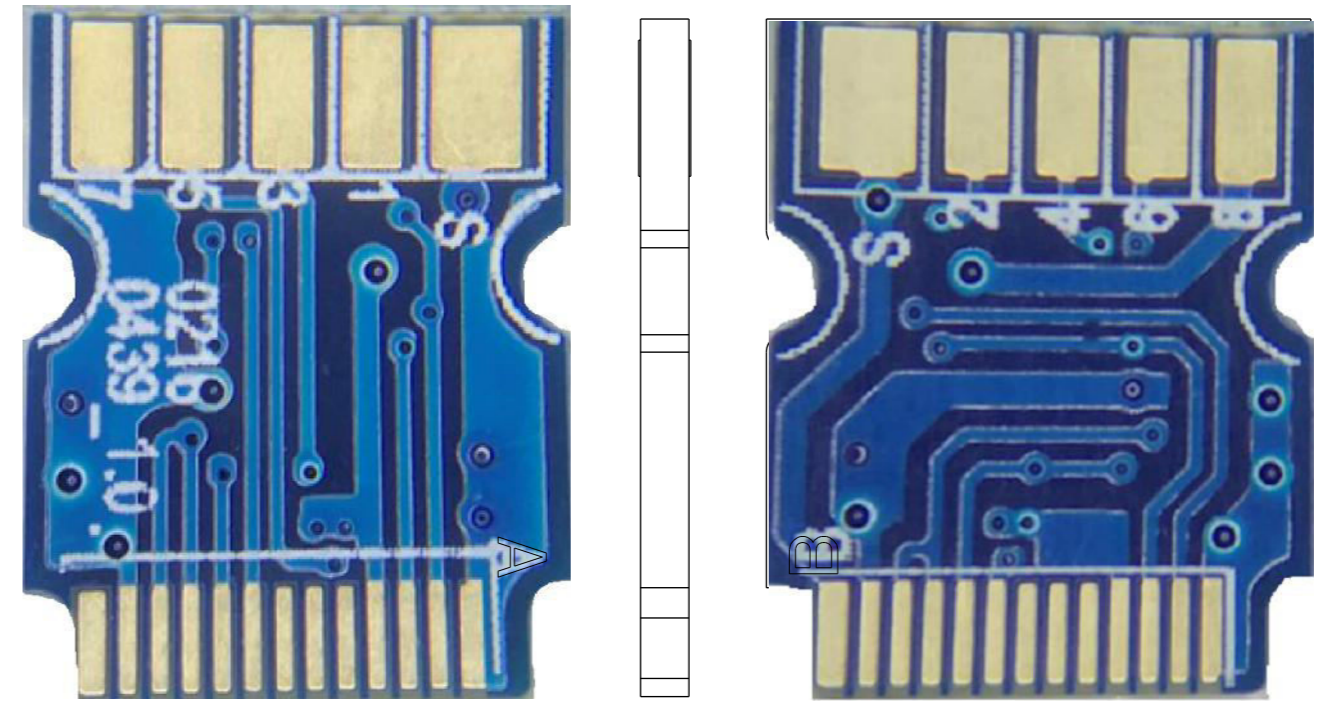
Amphenol  
FCi

© 2020 Amphenol Corporation

PART MUMBER  
10144277-80000LF



PCB STYLE 8



1. MATERIAL: FR-4, DOUBLE LAYER;
2. CU THICKNESS: 1 OZ
3. SURFACE TREATMENT: IMMERSION GOLD

spec ref	-			dr	LQLei	2017-6-14	projection 	mm ←→	size	A3	scale	4.000
tolerance std	TOLERANCES UNLESS OTHERWISE SPECIFIED			eng	Y-Y.BAO	2021-08-05			ecn no			
ISO 406				chr	LQLEI	2021-08-05			rel level	Change In Progress		
ISO 1101				appr	TIM.YAO	2021-08-05			product family			
surface	linear	0.X	±0.35	Amphenol FCi	title	USB Type-C		dwg no	10144277	rev	G	
		0.XX	±0.25			CABLE PLUG KITS						
		0.XXX	±0.15			cat. no.	Product - Customer Drw					
ISO 1302	angular	0°	±2°						sheet 8 of 8			

<b>PCN Reference</b>	<b>MPN</b>	<b>Change</b>	<b>Effective Date</b>
PCN26060	10144277-20000LF	DOCUMENTATION CHANGE	MAY 10 2026
PCN26060	10144277-30000LF	DOCUMENTATION CHANGE	MAY 10 2026
PCN26060	10144277-40000LF	DOCUMENTATION CHANGE	MAY 10 2026
PCN26060	10144277-50000LF	DOCUMENTATION CHANGE	MAY 10 2026
PCN26060	10144277-60000LF	DOCUMENTATION CHANGE	MAY 10 2026
PCN26060	10144277-70000LF	DOCUMENTATION CHANGE	MAY 10 2026
PCN26060	10144277-70001LF	DOCUMENTATION CHANGE	MAY 10 2026
PCN26060	10144277-80000LF	DOCUMENTATION CHANGE	MAY 10 2026



