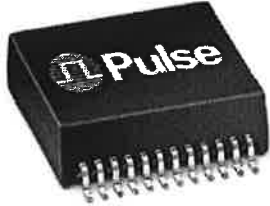
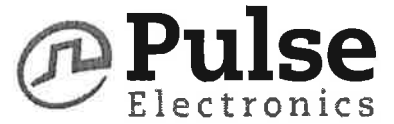


10/100/1000BASE-T SINGLE & DUAL-PORT TRANSFORMER MODULES

Military / Aerospace Grade



- Compliant with IEEE 802.ab for 1000Base-T
- 350μH OCL with 8mA bias at extended temperatures
- Operating and storage temperature:
1000B-5001F/5002F/5003F
1000B-5001FX/5002FX/5003FX
- IC grade transfer-molded package withstands 235°C peak temperature profile RoHS version withstands 245°C
- MSL: 3

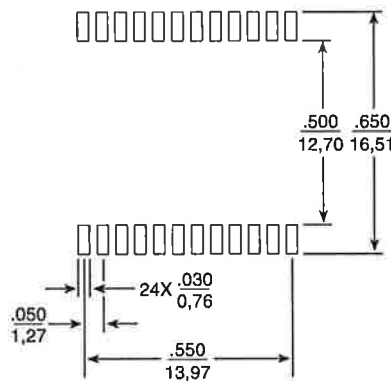
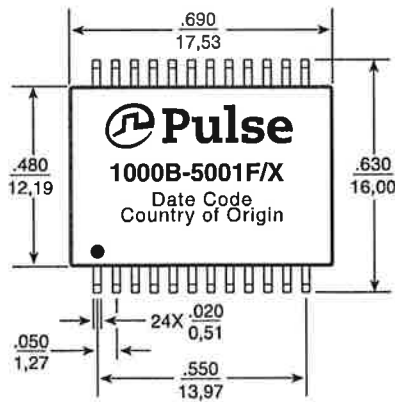
Electrical Specifications @ 25°C

Part Number ²	Insertion Loss (dB Min)	Return Loss (dB Max)					Crosstalk (dB Max)			CM to CM Rejection Ratio (dB Max)			DM to CM Rejection Ratio (dB Max)		
		0.1-100 Mhz	30 Mhz	60 Mhz	80 Mhz	100 Mhz	30 Mhz	60 Mhz	100 Mhz	30 Mhz	60 Mhz	100 Mhz	30 Mhz	60 Mhz	100 Mhz
1000B-5001F	-1.20	-18	-12	-10	-10	-43	-37	-33	-40	-35	-30	-43	-37	-33	
1000B-5001FX	-1.40	-18	-12	-10	-8	-43	-37	-33	-40	-35	-30	-43	-37	-33	
1000B-5002F	-1.20	-18	-14	-12	-10	-43	-37	-33	-40	-35	-30	-43	-37	-33	
1000B-5002FX	-1.20	-18	-14	-12	-10	-43	-37	-33	-40	-35	-30	-43	-37	-33	
1000B-5003F	-1.20	-18	-14	-11	-9	-43	-37	-33	-40	-35	-30	-43	-37	-33	
1000B-5003FX	-1.20	-18	-14	-11	-9	-43	-37	-33	-40	-35	-30	-43	-37	-33	

Note: 1. Add suffix NL for RoHS compliant part; i.e. 1000B-5001F becomes 1000B-5001FNL. 2. For Tape and Reel Packaging, add "T" suffix at the end of the part number; i.e. 1000B-5001XT.

Mechanical

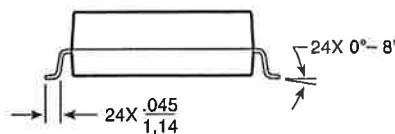
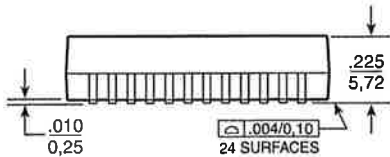
1000B-5001F/X



Weight 3.0 grams
 Tape and Reel 300/reel
 Tube25/tube

Dimensions: Inches
 mm
 Unless otherwise specified,
 all tolerances are ± .010
 0.25

SUGGESTED PAD LAYOUT

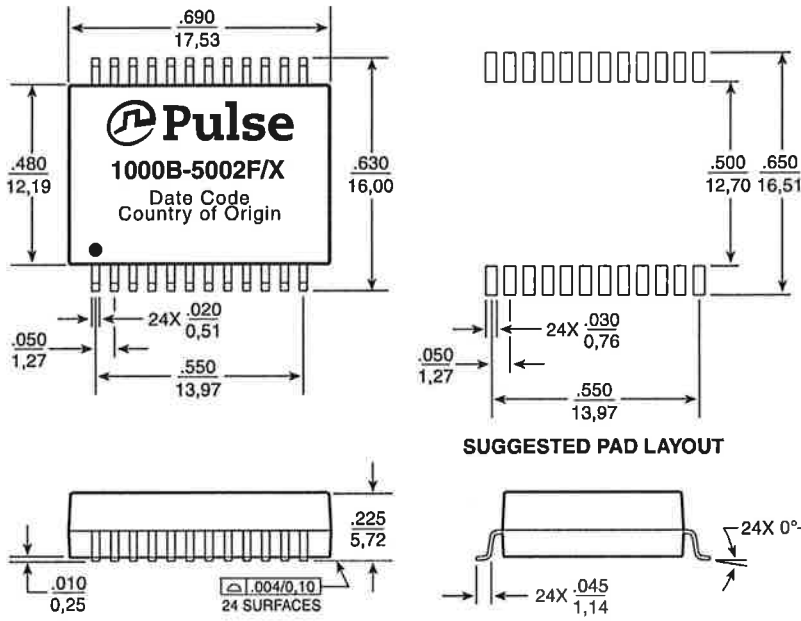


10/100/1000BASE-T SINGLE & DUAL-PORT TRANSFORMER MODULES

Military / Aerospace Grade



1000B-5002F/X

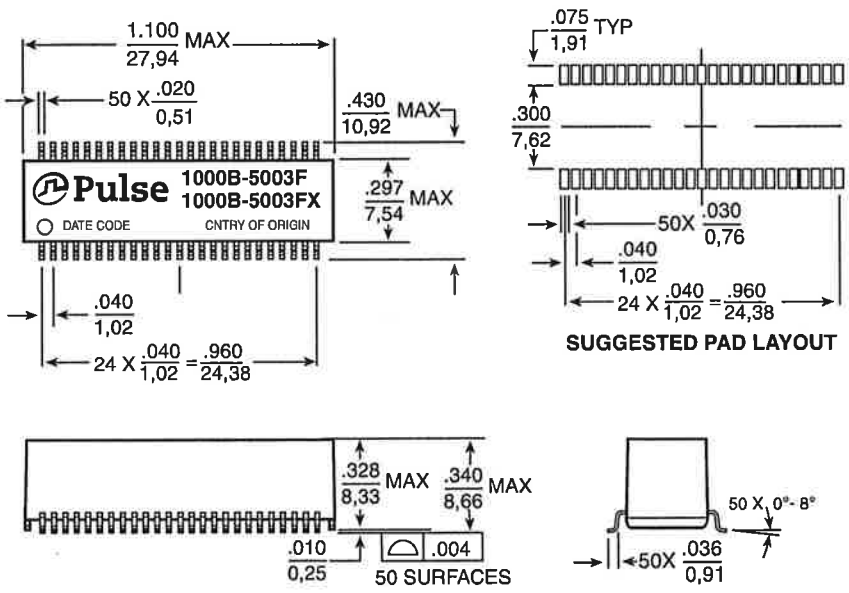


Weight2.6 grams
 Tape and Reel 300/reel
 Tube25/tube

Dimensions: $\frac{\text{Inches}}{\text{mm}}$
 Unless otherwise specified,
 all tolerances are $\pm \frac{.010}{0.25}$

SUGGESTED PAD LAYOUT

1000B-5003F/X



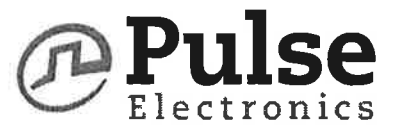
Weight3.5 grams
 Tape and Reel 250/reel
 Tube15/tube

Dimensions: $\frac{\text{Inches}}{\text{mm}}$
 Unless otherwise specified,
 all tolerances are $\pm \frac{.010}{0.25}$

SUGGESTED PAD LAYOUT

10/100/1000BASE-T SINGLE & DUAL-PORT TRANSFORMER MODULES

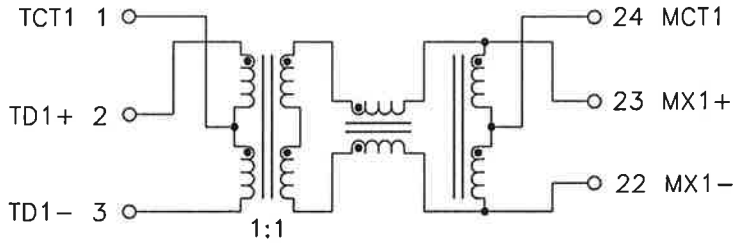
Military / Aerospace Grade



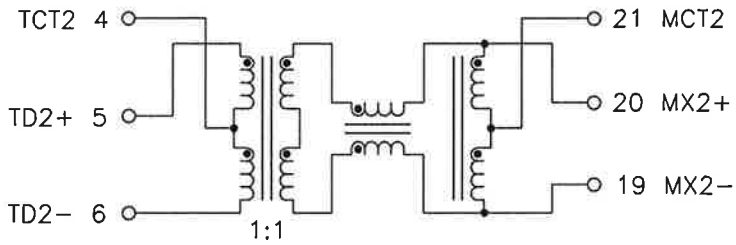
Electrical Schematic

1000B-5001F/X

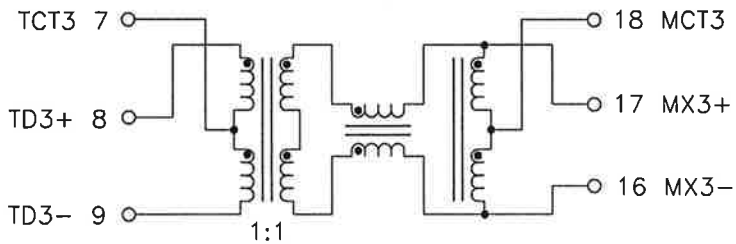
CHANNEL 1



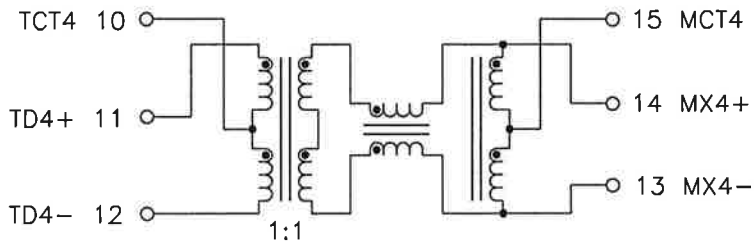
CHANNEL 2



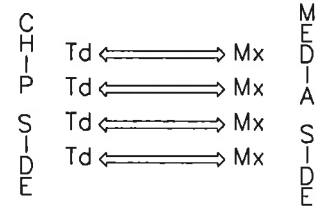
CHANNEL 3



CHANNEL 4



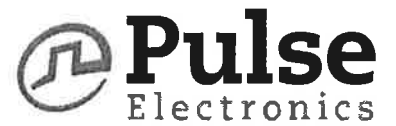
LEGEND



ALL CHANNELS ARE IN PHASE BETWEEN INPUT AND OUTPUT

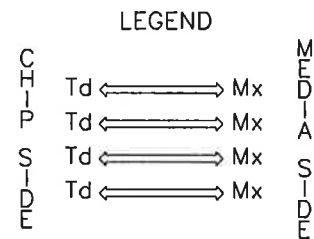
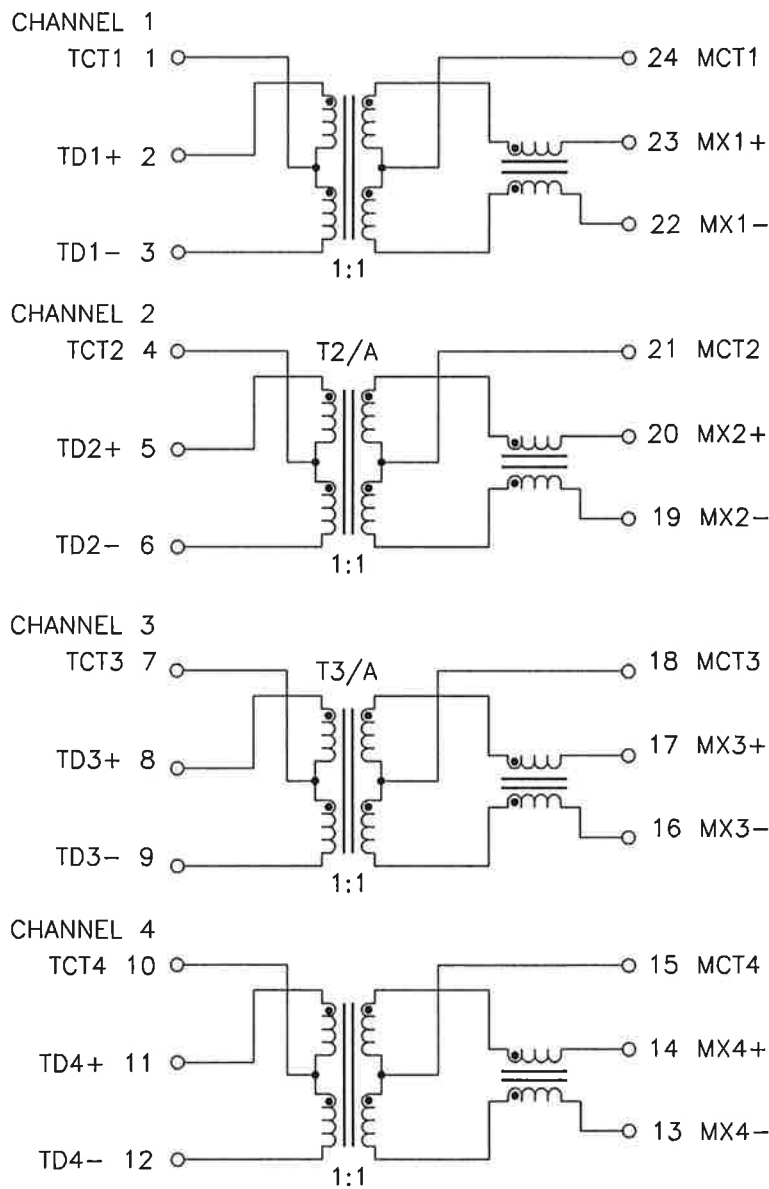
10/100/1000BASE-T SINGLE & DUAL-PORT TRANSFORMER MODULES

Military / Aerospace Grade



Electrical Schematic

1000B-5002F/X



ALL CHANNELS ARE IN PHASE BETWEEN INPUT AND OUTPUT

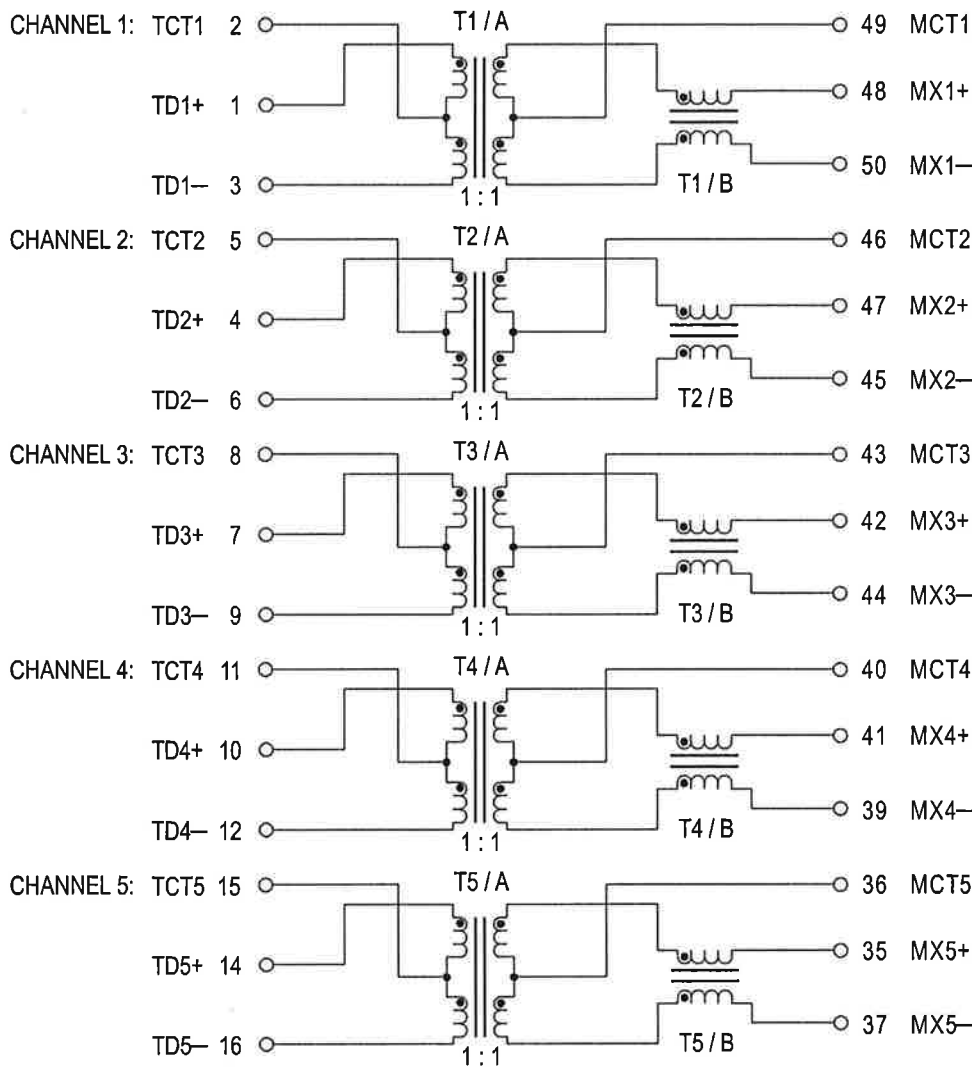
10/100/1000BASE-T SINGLE & DUAL-PORT TRANSFORMER MODULES

Military / Aerospace Grade



Electrical Schematic

1000B-5003F/X



LEGEND

CHIP SIDE ← Td → Mx MEDIA SIDE

ALL CHANNELS ARE IN PHASE BETWEEN INPUT AND OUTPUT

Continued on next page.

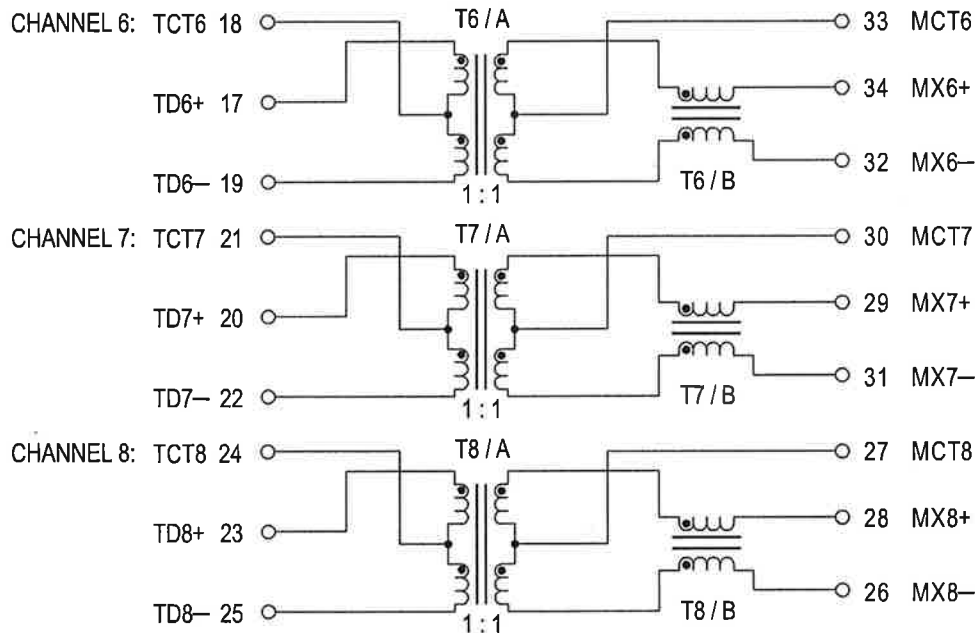
10/100/1000BASE-T SINGLE & DUAL-PORT TRANSFORMER MODULES

Military / Aerospace Grade



Electrical Schematic

1000B-5003F/X (cont.)



LEGEND

CHP SIDE MEDIA SIDE

Td ↔ Mx

ALL CHANNELS ARE IN PHASE BETWEEN INPUT AND OUTPUT

For More Information

Pulse Worldwide Headquarters
Two Pearl Buck Court
Bristol, PA 19007
U.S.A.

Pulse Europe
Einsteinstrasse 1
D-71083 Herrenberg
Germany

Pulse China Headquarters
B402, Shenzhen Academy of
Aerospace Technology Bldg.
10th Kejian Road
High-Tech Zone
Nanshan District
Shenzhen, PR China 518057
Tel: 86 755 33966678
Fax: 86 755 33966700

Pulse North China
Room 2704/2705
Super Ocean Finance Ctr.
2067 Yan An Road West
Shanghai 200336
China
Tel: 86 21 62787060
Fax: 86 2162786973

Pulse South Asia
135 Joo Seng Road
#03-02
PM Industrial Bldg.
Singapore 368363
Tel: 65 6287 8998
Fax: 65 6287 8998

Pulse North Asia
3F, No. 198
Zhongyuan Road
Zhongli City
Taoyuan County 320
Taiwan R. O. C.
Tel: 886 3 4356768
Fax: 886 3 4356823 (Pulse)
Fax: 886 3 4356820 (FRE)

Tel: 215 781 6400
Fax: 215 781 6403

Tel: 49 7032 7806 0
Fax: 49 7032 7806 135

Performance warranty of products offered on this data sheet is limited to the parameters specified. Data is subject to change without notice. Other brand and product names mentioned herein may be trademarks or registered trademarks of their respective owners. © Copyright, 2013. Pulse Electronics, Inc. All rights reserved.

Mouser Electronics

Authorized Distributor

Click to View Pricing, Inventory, Delivery & Lifecycle Information:

Pulse:

[1000B-5001FX](#)