

INTRODUCTION



TransFlash* Ultra Miniature Memory Card System

TransFlash is the world's smallest mass storage media. Specifically designed for the mobile phone market, TransFlash allows ultra miniature flash memory cards to be used in today's smallest and thinnest mobile phones.

Offering over 70% volume savings versus miniSD, TransFlash provides ultimate space savings and up to 256MB of memory storage. With the use of an adapter, TransFlash is compatible with SD and miniSD.

Molex's range of TransFlash connectors includes a hinge version and push-push extract method to meet various requirements. Both versions are fully shielded for ESD protection.

Specifications:

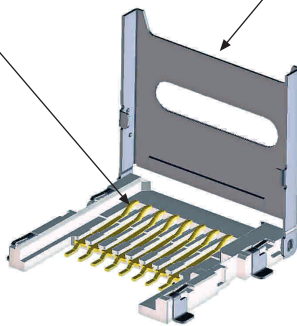
- Standards: TransFlash
- Current: 0.5A
- Voltage: 100V (500873), 10V (500901)
- Circuits: 8
- Durability: 5,000 cycles (500873), 1,000 cycles (500901)
- Contact Resistance: 100mΩ max. (500873), 80mΩ max. (500901)
- Withstanding Voltage: AC500V
- Insulation Resistance: 1000MΩ min.
- Operating Temperature: -25°C to +85°C
- Housing: LCP, UL 94V-0 (500873)
- Terminal: Copper (500873), Phosphor Bronze (500901)
- Plating: Gold over Nickel, Lead-free



FEATURES AND BENEFITS

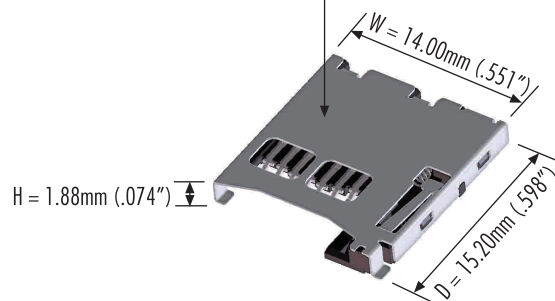
Beveled spring terminal design provides secure contact force and mating retention.

Metal hinge stays in upright position and various angles to facilitate card insertion.



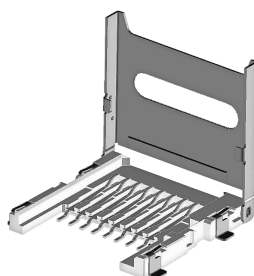
Hinge Type

Ultra small overall size for space savings.



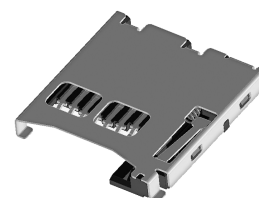
Push-Push Type

SELECTION MATRIX



Normal Mount – Hinge Type

Order No.	Description
500901-0800	H = 1.93mm (.076") D = 14.50mm (.571") W = 13.76mm (.542")



Normal Mount – Push-Push Type

Order No.	Description
500873-0801	H = 1.88mm (.074") D = 15.20mm (.598") W = 14.00mm (.551")

* Note: TransFlash is a trademark of SanDisk Corporation.



Bringing People & Technology Together, WorldwideSM

American Headquarters

2222 Wellington Ct,
Lisle, Illinois 60532 USA
Tel: 1-800-78MOLEX
amerinfo@molex.com

Far East North Headquarters

Yamato, Kanagawa, Japan
Tel: 81-462-65-2324
feninfo@molex.com

Far East South Headquarters

Jurong, Singapore
Tel: 65-6-268-6868
fesinfo@molex.com

European Headquarters

Munich, Germany
Tel: 49-89-413092-0
euroinfo@molex.com

Corporate Headquarters

2222 Wellington Ct,
Lisle, Illinois 60532 USA
Tel: 630-969-4550

Visit our website at www.molex.com