

# AEC-Q200 Automotive Grade Capacitors

At Knowles Capacitors we manufacture Single Layer, Multilayer, High Reliability and Precision Variable Capacitors; EMI Filters and Thin Film Devices.

One of our fields of expertise is the design and manufacture of components important to engineers in the automotive industry. Today's vehicles have many electronic control units that enable absolute precision and control.

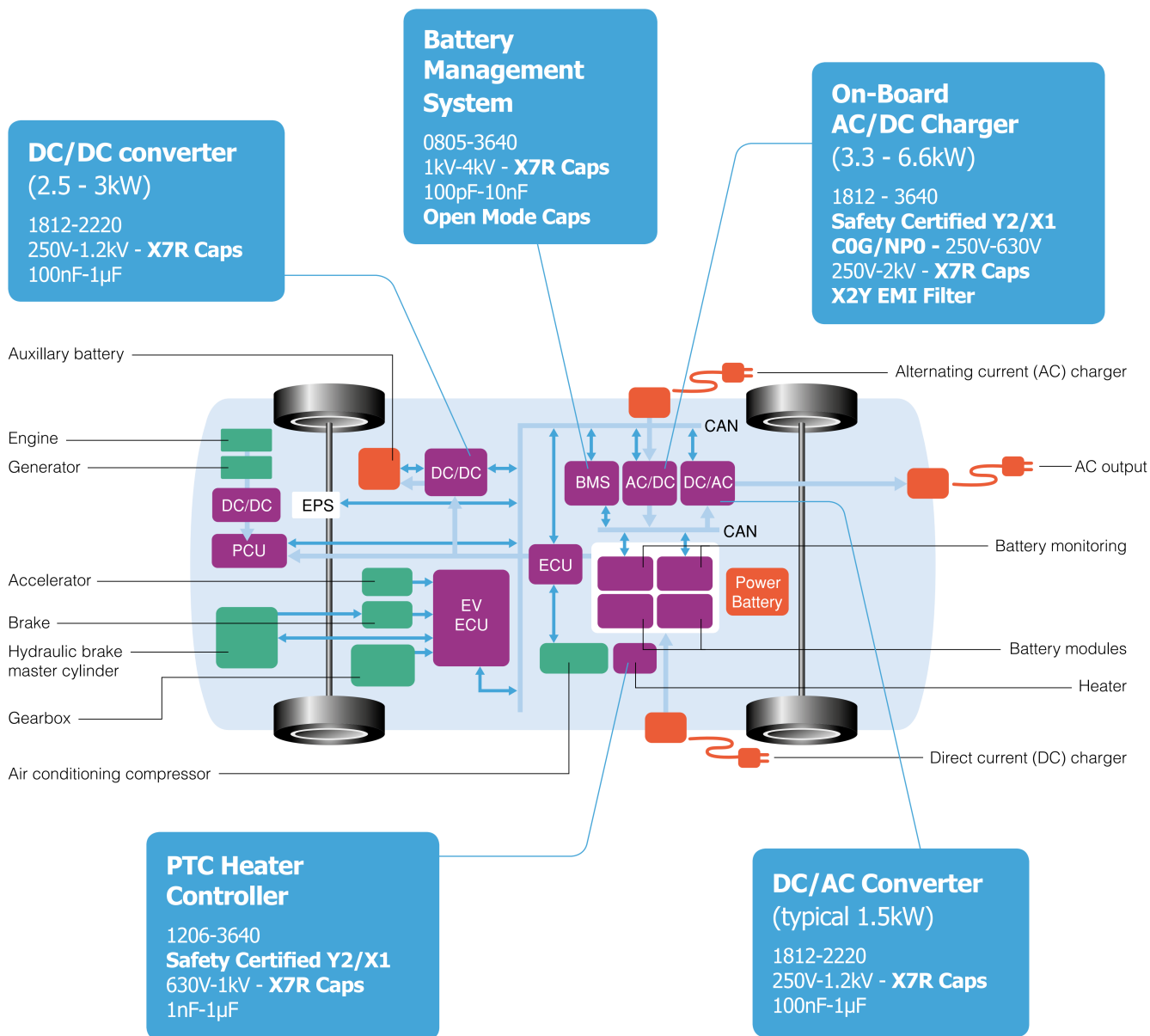
The Automotive Electronics Council (AEC) Component Technical Committee is the standardization body for establishing standards for reliable, high quality electronic components. Components meeting these specifications are suitable for use in the harsh automotive environment without additional component-level qualification testing.

The Component Technical Committee established AEC-Q200 "Stress Test Qualification for Passive Components" to define the

minimum stress test driven qualification requirements for passive electrical devices including ceramic capacitors.

Knowles has developed a range of MLC capacitors and surface mount EMI filters qualified to AEC-Q200 rev D to meet the needs of high reliability and automotive manufacturers.

Please refer to the following pages for details of the product ranges offered by Knowles.



## Electric Vehicle Charging - EV/HEV/PHEV

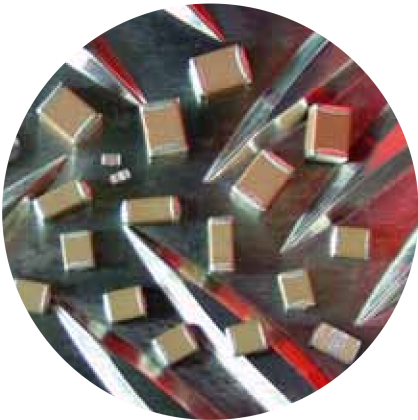
# Contents

<b>MLC Capacitors</b>	Automotive Grade - AEC-Q200 ranges.....	4-5
	StackiCap™ Capacitors .....	6
	Safety Certified Capacitors .....	7-9
	Open Mode & Tandem Capacitors .....	10
	High Temperature Capacitors .....	11

---

<b>SM EMI Filters</b>	Feedthrough Filters - E01 & E07 .....	12-13
	X2Y Integrated Passive Components - E03 .....	14-15

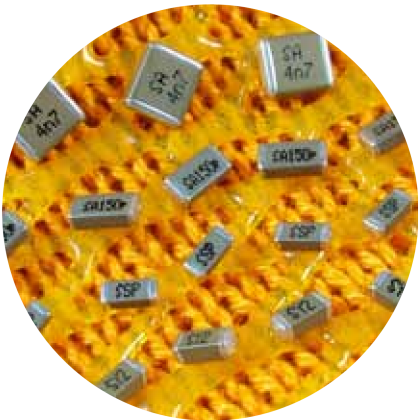
---



**AEC-Q200 approved ranges - pages 4-5**



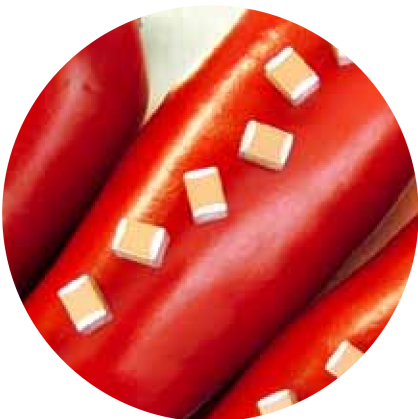
**StackiCap™ Capacitors - page 6**



**Safety Certified Capacitors - pages 7-9**



**Open Mode & Tandem Capacitors - page 10**



**High Temperature Capacitors - page 11**



**Surface Mount EMI Filters - pages 12-15**